

Data Center Solutions

Engineering, Manufacturing, Assembly, Excellent Service

609 Science Drive
Moorpark, California 93021
T: 1(866) 996-2285
W: www.rxlusa.com
E: Sales@rxlusa.com

Who we are

With over 30 years of joint experience in manufacturing, design, sales and marketing. RXL offers an extensive range of solutions and value added services that help our partners to drive their businesses forward. Whether it's a design, prototype, or a standard generic product, our professional teams are here to assist.

Our in-depth experience in contract metal manufacturing for the IT and Data Center markets as well as fully understanding the supply chain and distribution requirements, helps us bring tangible benefits to our business partners around the world.

Why choose RXL?

We at RXL understand and value your individual needs and thrive on delivering first class service. We appreciate that time, quality & cost are the essential ingredients to a successful business partnership and mutual growth. RXL manufactures products under one roof allowing you to focus on your core business activities with absolute peace of mind.



Table of Contents

Section 1	
Cable Pathways & Accessories	04
Section 2	
Open Racks	26
Section 3	
Cable Management	38
Section 4	
Wall Mounts	43
Section 5	
Cabinets and Enclosures	50
Section 6	
Zone Containments	53
Section 7	
Cage Systems	XX
Section 8	
Strut Channel Products	XX

Section 1

Cable Pathways & Accessories

Cable Runway

To secure and protect your infrastructure cables, RXL offers high-quality cable runway solutions. Our modular components and mounting accessories come in a variety of lengths and widths, enabling you to create a design that caters to your specific needs. Made with powder-coated steel, these rugged components bolt together to form a solid and reliable cable pathway, and can adapt to adds, moves and changes as your design layout changes.

Why choose RXL Cable Runway and Accessories?

- Constructed of welded rectangular steel tubing for both stringers and rungs
- High load ratings
- Individually boxed to prevent scratching and damage. Or shipped without boxes where disposal of extra waste is unwanted.
- Meets or exceeds ANSI/TIA/EIA installation guidelines for support
- Integrates with other Manufacturer's Ladder Racking



Cable Runway: Welded tubular steel construction provides continuous support for cable. Does not have formed rungs or tall sides allowing cables to easily enter and exit the pathway.

Cable Runway Supports: Used to attach Cable Runway to the wall, ceiling or floor. Also used on tops of racks and cabinets.

Cable Runway Splices: An accessory item used to connect or form sections of Runway to better suit your layout.

Cable Runway Radius Drops: Provides 3" bend radius to help maintain gradual cable radius bends. Will fit 6"W, 12"W and 18"W Cable Runway made from 1-1/2" x 3/8" steel tubing.

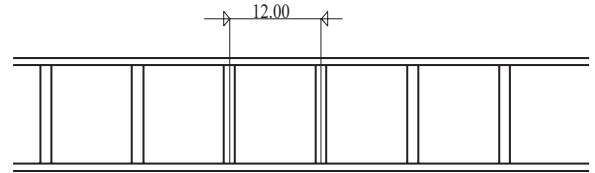
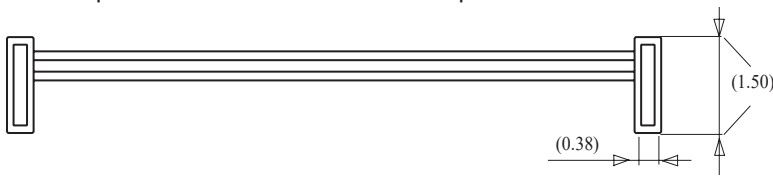
Cable Runway Bends: Make smooth transitions for cable turns and drops within Cable Runway to minimize cable bend radius.

Cable Runway Elevation Kits: Supports Cable Runway above a series of Racks or Cabinets and provides additional radius bend space above these structures.

Cable Runway Corner Brackets: Designed to create a smooth radius and 90° T and X intersections.

Global Cable Runway

Global Cable Runway provides a solution to cable pathway routes. Fully RoHS 2011/65/EU Compliant. Hardware, accessories and support options are available for this product line. Offered in both powder coated and zinc plated finishes.



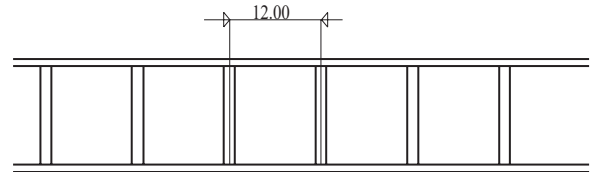
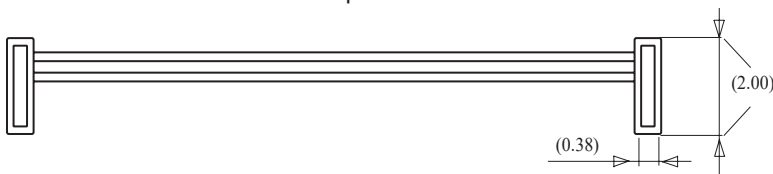
Part #	Description
1050-X04	Global Cable Runway, 4"W
1050-X06	Global Cable Runway, 6"W
1050-X09	Global Cable Runway, 9"W
1050-X12	Global Cable Runway, 12"W
1050-X15	Global Cable Runway, 15"W
1050-X18	Global Cable Runway, 18"W
1050-X24	Global Cable Runway, 24"W
1050-X30	Global Cable Runway, 30"W
1050-X36	Global Cable Runway, 36"W

- Welded tubular steel construction
- Load ratings up to 132 lbs/ft
- Cross members welded on 12" intervals
- Standard length of 119.75" (3035mm)
- 1.5"H x .375"W Stringers
- 1.5"H x .375"W Cross Members



2" Global Cable Runway

2" Global Cable Runway provides a solution to cable pathway routes. Fully RoHS 2011/65/EU Compliant. Includes complete hardware, accessories and support options. Offered in both powder coated and zinc plated finishes.



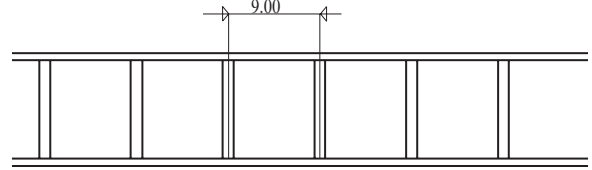
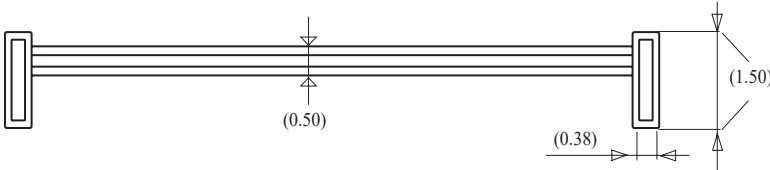
Part #	Description
1250-X06	2" Global Cable Runway, 6"W
1250-X09	2" Global Cable Runway, 9"W
1250-X12	2" Global Cable Runway, 12"W
1250-X15	2" Global Cable Runway, 15"W
1250-X18	2" Global Cable Runway, 18"W
1250-X24	2" Global Cable Runway, 24"W
1250-X30	2" Global Cable Runway, 30"W
1250-X36	2" Global Cable Runway, 36"W

- Welded tubular steel construction
- Load ratings up to 132 lbs/ft
- Cross members welded on 12" intervals
- Standard length of 119.75" (3035mm)
- 2.0"H x .375"W Stringers
- 1.5"H x .375"W Cross Members



Telco Style Cable Runway

Telco Style Cable Runway provides a solution to cable pathway routes. Fully RoHS 2011/65/EU Compliant. Hardware, accessories and support options are available for this product line. Offered in both powder coated and zinc plated finishes.



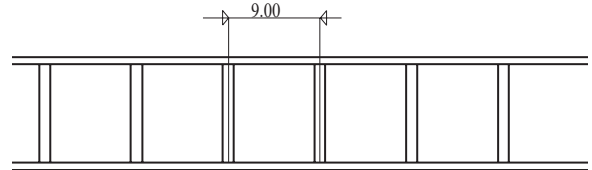
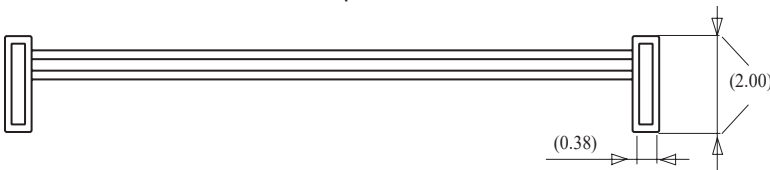
Part #	Description
1052-X06	Telco Cable Runway, 6"W
1052-X09	Telco Cable Runway, 9"W
1052-X12	Telco Cable Runway, 12"W
1052-X15	Telco Cable Runway, 15"W
1052-X18	Telco Cable Runway, 18"W
1052-X24	Telco Cable Runway, 24"W
1052-X30	Telco Cable Runway, 30"W
1052-X36	Telco Cable Runway, 36"W

- Welded tubular steel construction
- Load ratings up to 132 lbs/ft
- Cross members welded on 9" intervals
- Standard length of 116.5" (2959mm)
- 1.5"H x .375"W Stringers
- 1.0"H x 0.5"W Cross Members



2" Telco Style Cable Runway

2" Telco Style Cable Runway provides a solution to cable pathway routes. Fully RoHS 2011/65/EU Compliant. Includes complete hardware, accessories and support options. Offered in both powder coated and zinc plated finishes.



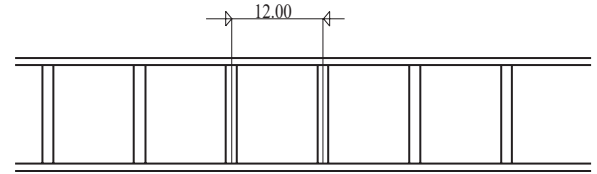
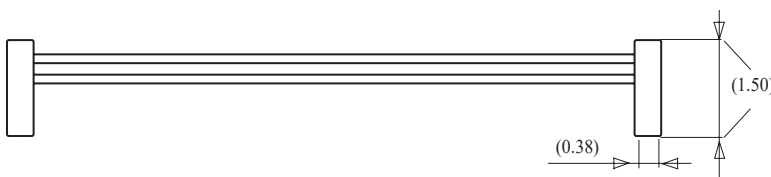
Part #	Description
1252-X06	2" Telco Cable Runway, 6"W
1252-X09	2" Telco Cable Runway, 9"W
1252-X12	2" Telco Cable Runway, 12"W
1252-X15	2" Telco Cable Runway, 15"W
1252-X18	2" Telco Cable Runway, 18"W
1252-X24	2" Telco Cable Runway, 24"W
1252-X30	2" Telco Cable Runway, 30"W
1252-X36	2" Telco Cable Runway, 36"W

- Welded tubular steel construction
- Load ratings up to 132 lbs/ft
- Cross members welded on 9" intervals
- Standard length of 116.5" (2959mm)
- 2.0"H x .375"W Stringers
- 1.0"H x 0.5"W Cross Members



Solid Stringer Cable Runway

Solid Stringer Cable Runway provides a solution to cable pathway routes. Fully RoHS 2011/65/EU Compliant. Hardware, accessories and support options are available for this product line. Offered in both powder coated and zinc plated finishes.

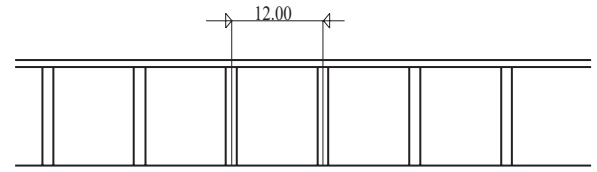
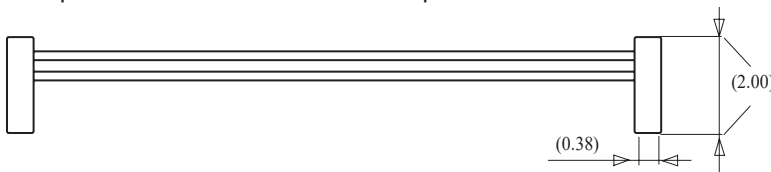


Part #	Description
1150-X04	Solid Global Cable Runway, 4"W
1150-X06	Solid Global Cable Runway, 6"W
1150-X09	Solid Global Cable Runway, 9"W
1150-X12	Solid Global Cable Runway, 12"W
1150-X15	Solid Global Cable Runway, 15"W
1150-X18	Solid Global Cable Runway, 18"W
1150-X24	Solid Global Cable Runway, 24"W
1150-X30	Solid Global Cable Runway, 30"W
1150-X36	Solid Global Cable Runway, 36"W

- Welded solid steel bar construction
- Cross members welded on 12" intervals
- Standard length of 119.75" (3035mm)
- 1.5"H x .375"W Stringers
- 1.5"H x .375"W Cross Members

2" Solid Stringer Global Cable Runway

2" Solid Stringer Global Cable Runway provides a solution to cable pathway routes. Fully RoHS 2011/65/EU Compliant. Includes complete hardware, accessories and support options. Offered in both powder coated and zinc plated finishes.

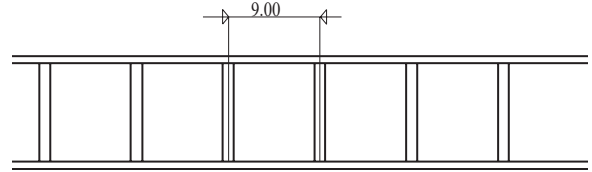
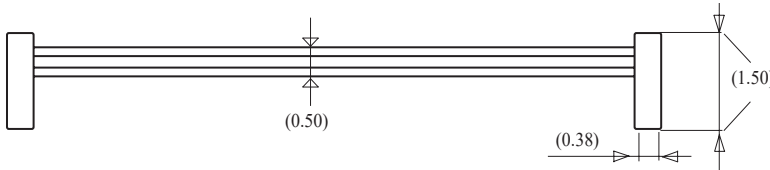


Part #	Description
1550-X06	2" Solid Global Cable Runway, 6"W
1550-X09	2" Solid Global Cable Runway, 9"W
1550-X12	2" Solid Global Cable Runway, 12"W
1550-X15	2" Solid Global Cable Runway, 15"W
1550-X18	2" Solid Global Cable Runway, 18"W
1550-X24	2" Solid Global Cable Runway, 24"W
1550-X30	2" Solid Global Cable Runway, 30"W
1550-X36	2" Solid Global Cable Runway, 36"W

- Welded solid steel bar construction
- Cross members welded on 12" intervals
- Standard length of 119.75" (3035mm)
- 2.0"H x .375"W Stringers
- 1.5"H x .375"W Cross Members

Solid Stringer Telco Style Cable Runway

Solid Stringer Telco Style Cable Runway provides a solution to cable pathway routes. Fully RoHS 2011/65/EU Compliant. Hardware, accessories and support options are available for this product line. Offered in both powder coated and zinc plated finishes.

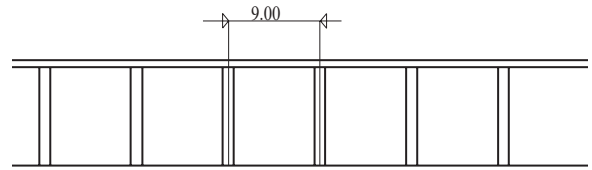
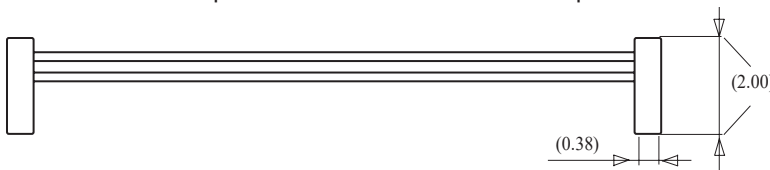


Part #	Description
1152-X06	Solid Telco Cable Runway, 6"W
1152-X09	Solid Telco Cable Runway, 9"W
1152-X12	Solid Telco Cable Runway, 12"W
1152-X15	Solid Telco Cable Runway, 15"W
1152-X18	Solid Telco Cable Runway, 18"W
1152-X24	Solid Telco Cable Runway, 24"W
1152-X30	Solid Telco Cable Runway, 30"W
1152-X36	Solid Telco Cable Runway, 36"W

- Welded solid steel bar construction
- Cross members welded on 9" intervals
- Standard length of 116.5" (2959mm)
- 1.5"H x .375"W Stringers
- 1.0"H x 0.5"W Cross Members

2" Solid Stringer Telco Style Cable Runway

2" Solid Stringer Telco Style Cable Runway provides a solution to cable pathway routes. Fully RoHS 2011/65/EU Compliant. Includes complete hardware, accessories and support options. Offered in both powder coated and zinc plated finishes.



Part #	Description
1552-X06	2" Solid Telco Cable Runway, 6"W
1552-X09	2" Solid Telco Cable Runway, 9"W
1552-X12	2" Solid Telco Cable Runway, 12"W
1552-X15	2" Solid Telco Cable Runway, 15"W
1552-X18	2" Solid Telco Cable Runway, 18"W
1552-X24	2" Solid Telco Cable Runway, 24"W
1552-X30	2" Solid Telco Cable Runway, 30"W
1552-X36	2" Solid Telco Cable Runway, 36"W

- Welded solid steel bar construction
- Cross members welded on 9" intervals
- Standard length of 116.5" (2959mm)
- 2.0"H x .375"W Stringers
- 1.0"H x 0.5"W Cross Members

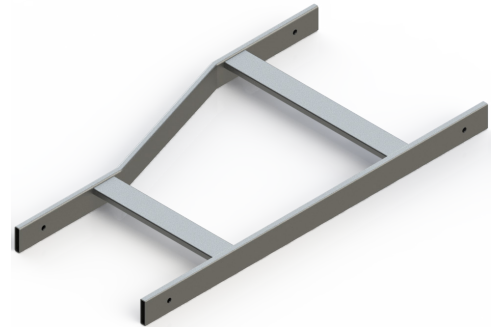
Cable Runway Reducers

The Cable Runway Reducer is the solution for changing runway widths quickly. Each Reducer is 18" long and has two Cross Members. One on the short end and one on the longer end. Each Cable Runway Reducer comes with two splice kits. We recommend using a Center Support Kit when using a reducer. Choice of powder coated finish.

Part #	Description
1055-X06	Global Center Reducer, 12"W to 6"W
1055-X09	Global Center Reducer, 15"W to 9"W
1055-X12	Global Center Reducer, 18"W to 12"W
1055-X15	Global Center Reducer, 21"W to 15"W
1055-X18	Global Center Reducer, 24"W to 18"W
1055-X24	Global Center Reducer, 30"W to 24"W
1055-X30	Global Center Reducer, 36"W to 30"W



Part #	Description
1056-X06	Global Right Reducer, 9"W to 6"W
1056-X09	Global Right Reducer, 12"W to 9"W
1056-X12	Global Right Reducer, 15"W to 12"W
1056-X15	Global Right Reducer, 18"W to 15"W
1056-X18	Global Right Reducer, 21"W to 18"W



Part #	Description
1057-X06	Global Left Reducer, 9"W to 6"W
1057-X09	Global Left Reducer, 12"W to 9"W
1057-X12	Global Left Reducer, 15"W to 12"W
1057-X15	Global Left Reducer, 18"W to 15"W
1057-X18	Global Left Reducer, 21"W to 18"W



Cable Runway Radius Bends

The Radius Bend creates a 90 Degree vertical bend for cable runs. Manufactured from rectangular (3/8" x 1.5" x .065") steel tubing (9.53 mm x 38 mm x 1.65 mm) with three cross members welded on 23° increments. Choice of powder coated finish.

Part #	Description
1073-X06	Global Outer Radius Bend, 6"W
1073-X09	Global Outer Radius Bend, 9"W
1073-X12	Global Outer Radius Bend, 12"W
1073-X15	Global Outer Radius Bend, 15"W
1073-X18	Global Outer Radius Bend, 18"W
1073-X24	Global Outer Radius Bend, 24"W
1073-X30	Global Outer Radius Bend, 30"W



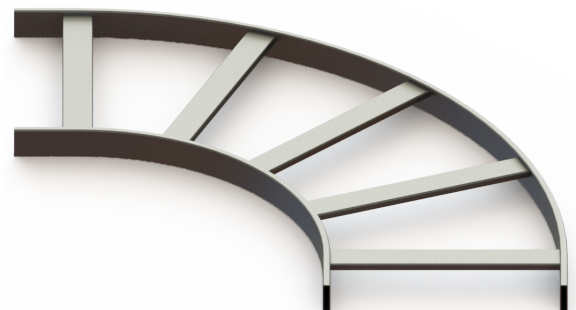
Part #	Description
1074-X06	Global Inner Radius Bend, 6"W
1074-X09	Global Inner Radius Bend, 9"W
1074-X12	Global Inner Radius Bend, 12"W
1074-X15	Global Inner Radius Bend, 15"W
1074-X18	Global Inner Radius Bend, 18"W
1074-X24	Global Inner Radius Bend, 24"W
1074-X30	Global Inner Radius Bend, 30"W



Cable Runway E-Bends

When installed horizontally creates an easy 90° turn between the individual cable runway parts. Manufactured from rectangular steel tubing and has cross members welded on 23° increments to allow a nice 90° sweep to either side. Choice of powder coated finish.

Part #	Description
1075-X06	Global E Bend, 1.5" Stringer, 6"W
1075-X09	Global E Bend, 1.5" Stringer, 9"W
1075-X12	Global E Bend, 1.5" Stringer, 12"W
1075-X15	Global E Bend, 1.5" Stringer, 15"W
1075-X18	Global E Bend, 1.5" Stringer, 18"W
1075-X24	Global E Bend, 1.5" Stringer, 24"W
1075-X30	Global E Bend, 1.5" Stringer, 30"W



Cable Runway T Sections

Use the T Section when creating a "T" intersection. Eliminates stringer at the intersection, thus allowing for a smooth flat continued transition. Available in both the 1.5" & 2" Style Cable Runway. Choice of powder coated finish.

Part #	Description
1061-X12	Global T Section, 1.5" Stringer, 12"W
1061-X18	Global T Section, 1.5" Stringer, 18"W
1061-X24	Global T Section, 1.5" Stringer, 24"W



Cable Runway Cross Sections

Use the Cross Section when creating an "X" intersection. Eliminates the stringer at the intersection thus allowing for a smooth flat continued transition. Available in both the 1.5"H Telco Style Cable Runway and 2"H Telco Style Cable Runway. Choice of powder coated finish.

Part #	Description
1062-X12	Global X Section, 1.5" Stringer, 12"W
1062-X18	Global X Section, 1.5" Stringer, 18"W
1062-X24	Global X Section, 1.5" Stringer, 24"W



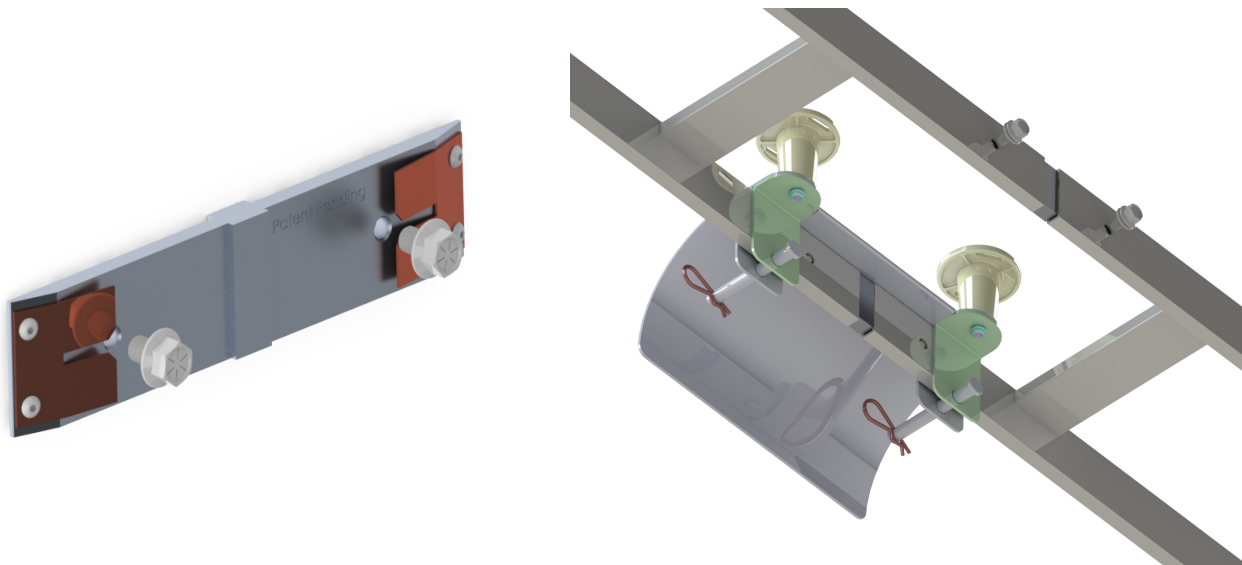
Cable Runway Corner Brackets

The Cable Runway Corner Bracket is used to create intersections between cable runway sections and can be used to form L, T or X type junctions. Manufactured from rectangular (3/8" x 1.5" x .065") steel tubing (9.53mm x 38mm x 1.65mm). Kit contains mounting brackets and hardware for easy installation.

Part #	Description
1076-X15	Global Corner Support, 1.5" Stringer, 15"W
1076-X24	Global Corner Support, 1.5" Stringer, 24"W



Patented Grounding Butt Splice Kit



Part #	Description
1099-AL01	Grounding Butt Splice Kit, 1.5" Stringer
1099-AL02	Grounding Butt Splice Kit, 2" Stringer

Product Overview & Benefits

Introducing RXL's Patented Grounding Butt Splice Kit made of Aluminum. Reduce your labor costs while saving both time & money.

- Designed to connect two sections of runway effortlessly
- No ground strap required
- No need to remove powder coat by grinding and creating paint dust, no drilling required
- **UL approved File No: E475767**

Butt Splice Kits

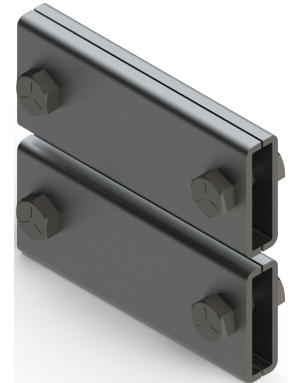
The Butt Splice Kit is used to connect two sections of Cable Runway. Finish is black chem film over zinc plating.



Part #	Description
1010-X01	Butt Splice Kit, 1.5" Stringer
1010-X02	Butt Splice Kit, 2" Stringer

Heavy Duty Butt Splice Kits

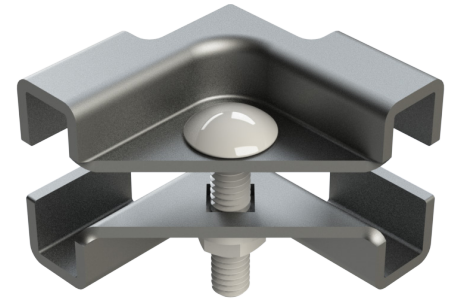
The Butt Splice Kit is used to connect two sections of Cable Runway. Finish is black chem film over zinc plating.



Part #	Description
1011-X01	Heavy Duty Butt Splice Kit, 1.5" Stringer
1011-X02	Heavy Duty Butt Splice Kit, 2" Stringer

Junction Splice Kits

Use Splice Kits to connect two sections of Cable Runway at an angle. Finish is black chem film over zinc plating.



Part #	Description
1012-X01	Junction Splice Kit, 1.5" Stringer
1012-X02	Junction Splice Kit, 2" Stringer

Cable Runway L-Shoulder Bracket

The L-Shoulder Bracket allows power cables, conduit and fiber duct to run parallel to the cable runway stringer. The L-Shoulder Bracket comes with 1/4-20 hex screws and attaches to the stringer.



Part #	Description
1044-X0204	L-Shoulder Bracket, 2" Offset, 4"W
1044-X0304	L-Shoulder Bracket, 3" Offset, 4"W
1044-X0404	L-Shoulder Bracket, 4" Offset, 4"W

Cable Retaining Posts

Cable Retaining Posts provide extra cable depth to existing cable runway installations. Attaches to cable runway side stringers, both 1.5" and 2".



Part #	Description
1009-X106	Cable Retaining Post, 1.5" Stringer, 6"H
1009-X108	Cable Retaining Post, 1.5" Stringer, 8"H
1009-X110	Cable Retaining Post, 1.5" Stringer, 10"H
1009-X206	Cable Retaining Post, 2" Stringer, 6"H
1009-X208	Cable Retaining Post, 2" Stringer, 8"H
1009-X210	Cable Retaining Post, 2" Stringer, 10"H

Cable Spool Divider

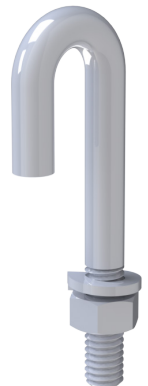
The Cable Spool Runway Divider. Separates cables to improve cable management and control cable to cable distances. The Bracket attaches to the cross member and can move anywhere along it. Kit includes 10 Spools, Brackets, and Hardware.



Part #	Description
1039-X01	Cable Spool Divider, 1.5" Rung, QTY 10

J-Bolt Kits

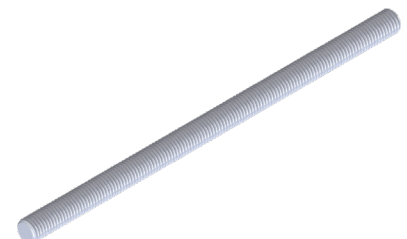
The J-Bolt kit can be used for various applications. Kit includes two J-bolts, two nuts and two washers. Sold in black zinc.



Part #	Description
1001-BZ01	J-Bolt, 5/16-18 x 2.25", Black Zinc
1001-BZ02	J-Bolt, 5/16-18 x 3.25", Black Zinc
1001-BZ03	J-Bolt, 5/16-18 x 3.75", Black Zinc

Threaded Rod

Used to support cable runway from the ceiling. Clear zinc finish.



Part #	Description
1088-CZ1038	Threaded Rod, 3/8"-16, 10' L, Clear Zinc
1088-CZ1058	Threaded Rod, 5/8"-11, 10' L, Clear Zinc
1088-CZ1012	Threaded Rod, 1/2"-13, 10' L, Clear Zinc

Steel Triangle Brackets

The Triangle Support Bracket supports and strengthens cable runway along a wall application.

Part #	Description
1029-X06	Steel Triangle Bracket, 6" Runway
1029-X12	Steel Triangle Bracket, 12" Runway
1029-X18	Steel Triangle Bracket, 18" Runway



Aluminum Triangle Brackets

The Triangle Support Bracket supports and strengthens cable runway along a wall application. Aluminum is 1/4" thick x 2"W; J-Bolt kit included. Choice of powder coated finish.

Part #	Description
1006-X06	Aluminum Triangle Bracket, 6" Runway
1006-X12	Aluminum Triangle Bracket, 12" Runway
1006-X18	Aluminum Triangle Bracket, 18" Runway



Modular Triangle Brackets

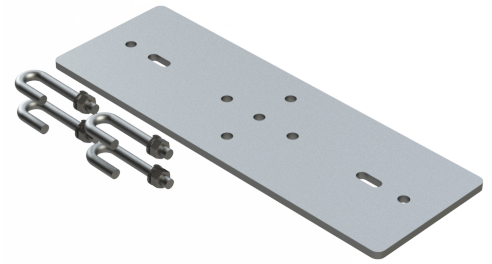
The Modular Steel Triangle Support Bracket is manufactured from steel and is designed to support Cable Runway along a wall application J Bolt kit included. Choice of powder coated finish.

Part #	Description
1007-X06	Modular Triangle Bracket, 6" Runway
1007-X12	Modular Triangle Bracket, 12" Runway
1007-X18	Modular Triangle Bracket, 18" Runway



Rack-To-Runway Mounting Plate Kits

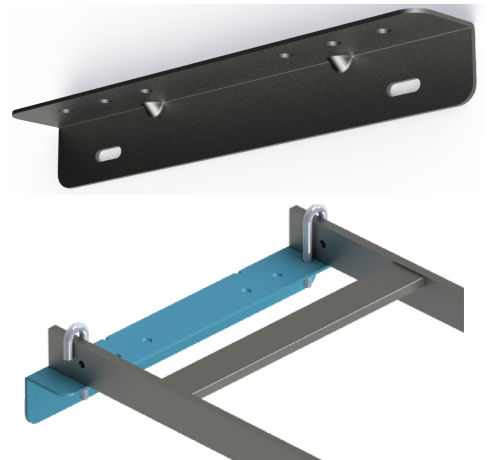
The Rack-To-Runway Mounting Plate installs to the top of a Two-Post or Four-Post Rack. This product can be mounted either parallel or perpendicular. J Bolt kits included. Choice of powder coated finish.



Part #	Description
1005-X06	Rack to Runway Plate, 3" Channel, 4"W to 6"W
1005-X12	Rack to Runway Plate, 3" Channel, 9"W to 12"W
1005-X18	Rack to Runway Plate, 3" Channel, 15"W to 18"W
1005-X24	Rack to Runway Plate, 3" Channel, 20"W to 24"W

Cable Runway Wall Angle Support Kits

The Wall Angle Support Kits are designed to support various Cable Runway widths and mounts directly to the wall. J Bolt kit included. Choice of powder coated finish.



Part #	Description
1008-X06	Wall Angle Support, 6" Runway
1008-X12	Wall Angle Support, 12" Runway
1008-X18	Wall Angle Support, 18" Runway
1008-X24	Wall Angle Support, 24" Runway

Cable Runway Clamp Bracket Kits

The Vertical Wall Brackets are used to secure Cable Runway with 1.5" x 3/8" (38mm x 9.5mm) stringers to the wall. Offered in both powder coated and zinc plated finishes. Sold in pairs.



Part #	Description
1068-X01	Runway Clamp Kit, 1.5" Stringer
1068-X02	Runway Clamp Kit, 2" Stringer

Stringer End Caps

Protects the exposed ends of Cable Runway, Sold in pairs.

Part #	Description
1024-BK01	Cable Runway End Caps, 1.5" Stringer, Black
1024-BK02	Cable Runway End Caps, 2" Stringer, Black



Cable Runway Foot Kit

The Foot Kit secures a single piece of cable runway section to the floor, wall or ceiling. Manufactured from 3/8" thick steel. The kit includes one Butt Splice Kit. Mounting hardware not included. Available in both powder coated and Zinc plated finishes.

Part #	Description
1020-BK01	Cable Runway Foot Kit, 1.5" Stringer, Black
1020-BK02	Cable Runway Foot Kit, 2" Stringer, Black



Cable Runway End Termination Kits

The End Termination Kit is designed to close off the end of a cable runway section. The kit includes one cross member and two Junction Splice Kits.

Part #	Description
1027-X06	End Termination Kit, 1.5" Stringer, 6"W
1027-X09	End Termination Kit, 1.5" Stringer, 9"W
1027-X12	End Termination Kit, 1.5" Stringer, 12"W
1027-X18	End Termination Kit, 1.5" Stringer, 18"W
1027-X24	End Termination Kit, 1.5" Stringer, 24"W
1027-X30	End Termination Kit, 1.5" Stringer, 30"W
1027-X36	End Termination Kit, 1.5" Stringer, 36"W



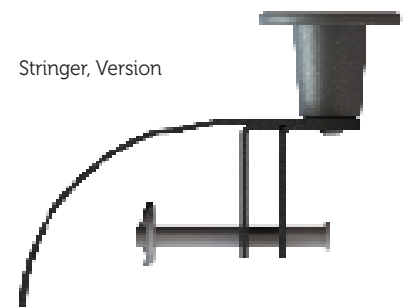
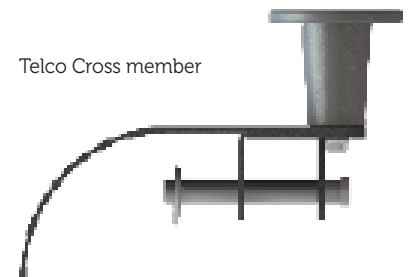
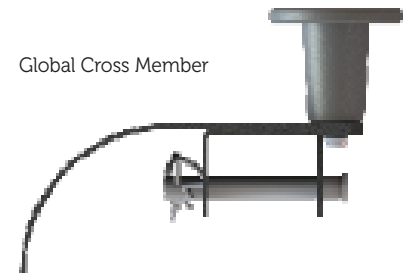
Cable Runway Radius Drops

Radius Drops attach to the cross member or stringer to help maintain smooth drops of cable. Provides 3 inch (76mm) bend radius. Choice of powder coated finish.

Part #	Description
1021-X06	Global Cross Member Radius Drop, 6"W, 2 Spools
1021-X12	Global Cross Member Radius Drop, 12"W, 3 Spools
1021-X18	Global Cross Member Radius Drop, 18"W, 3 Spools
1021-X24	Global Cross Member Radius Drop, 24"W, 3 Spools

Part #	Description
1022-X06	TELCO Cross Member Radius Drop, 6"W, 2 Spools
1022-X12	TELCO Cross Member Radius Drop, 12"W, 3 Spools
1022-X18	TELCO Cross Member Radius Drop, 18"W, 3 Spools
1022-X24	TELCO Cross Member Radius Drop, 24"W, 3 Spools

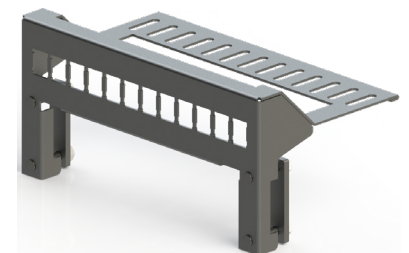
Part #	Description
1023-X104	1.5" Stringer Radius Drop, 4"W, 2 Spools
1023-X106	1.5" Stringer Radius Drop, 6"W, 3 Spools
1023-X108	1.5" Stringer Radius Drop, 8"W, 3 Spools
1023-X110	1.5" Stringer Radius Drop, 10"W, 3 Spools
1023-X204	2" Stringer Radius Drop, 4"W, 2 Spools
1023-X206	2" Stringer Radius Drop, 6"W, 3 Spools
1023-X208	2" Stringer Radius Drop, 8"W, 3 Spools
1023-X210	2" Stringer Radius Drop, 10"W, 3 Spools



Cable Runway 10 Port Patch Panel

Mounts to Cable Runway and is used to attach cables to servers.

Part #	Description
1094-X06	Multi-Port Patch Rack, 6 Ports
1094-X10	Multi-Port Patch Rack, 10 Ports
1094-X12	Multi-Port Patch Rack, 12 Ports



Cable Runway Patch Rack Kits

The Cable Runway Patch Rack is designed to attach to the Cable Runway stringer above a rack or cabinet for additional equipment mounting space. Choice of powder coated finish.



Part #	Description
1090-X02	Patch Rack Panel, 1.5" Stringer, 2U
1090-X04	Patch Rack Panel, 1.5" Stringer, 4U
1090-X08	Patch Rack Panel, 1.5" Stringer, 8U

Cable Runway Elevation Kits

The Cable Runway Elevation Kit supports cable runway above Racks or Cabinets. Can be mounted perpendicular or parallel. Kit includes brackets and assembly hardware. Rack kit requires Rack-to-Runway Mounting Plate (sold separately). Choice of powder coated finish.



Part #	Description
1003-X103	Elevation Kit, 1 Pair, 1.5" Stringer, 1" - 3" Offset
1003-X106	Elevation Kit, 1 Pair, 1.5" Stringer, 4" - 6" Offset
1003-X112	Elevation Kit, 1 Pair, 1.5" Stringer, 10" - 12" Offset
1003-X203	Elevation Kit, 1 Pair, 2" Stringer, 2" - 3" Offset
1003-X206	Elevation Kit, 1 Pair, 2" Stringer, 5" - 6" Offset
1003-X212	Elevation Kit, 1 Pair, 2" Stringer, 11" - 12" Offset

Cable Runway Movable Cross Member

The Movable Cross Member attaches to the inside of the stringers where a cross member doesn't exist to allow for the installation of a radius drop. Manufactured from 1/4" thick Aluminum flat bar. Mounting hardware included. Choice of powder coated finish.



Part #	Description
1025-X09	Movable Cross Member, 9" Runway
1025-X12	Movable Cross Member, 12" Runway
1025-X18	Movable Cross Member, 18" Runway

Cable Runway Center Support Kits

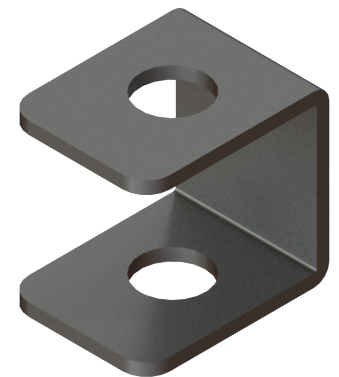
The Center Support Kit attaches Cable Runway to the ceiling. Each kit includes one Center Support Bracket, one reinforcement beam, two 5/8-11 hex nuts, one 5/8 split lock washer, one 12 inch long threaded rod cover and one J-bolt kit.



Part #	Description
1026-X09	Center Support, 9" Runway
1026-X12	Center Support, 12" Runway
1026-X18	Center Support, 18" Runway

Cable Runway Support Brackets

The Support Bracket secures threaded rod to Cable Runway. Finish is black or clear chem film over zinc plating. Please note: Hardware not included and must be ordered separately.

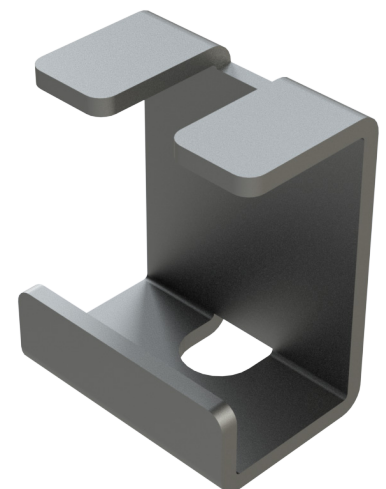


Part #	Description
1018-X138	Support Bracket, 1.5" Stringer, 3/8" Rod
1018-X112	Support Bracket, 1.5" Stringer, 1/2" Rod
1018-X158	Support Bracket, 1.5" Stringer, 5/8" Rod
1018-X238	Support Bracket, 2" Stringer, 3/8" Rod
1018-X212	Support Bracket, 2" Stringer, 1/2" Rod
1018-X258	Support Bracket, 2" Stringer, 5/8" Rod

Slotted Support Bracket

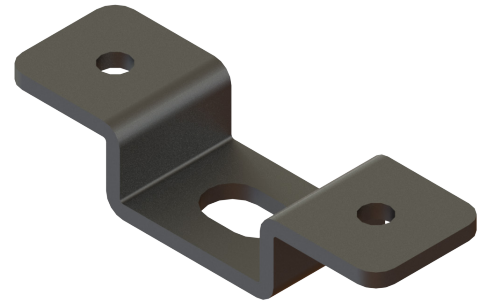
Secures threaded rod to Cable Runway

Part #	Description
1067-X138	Slotted Support Bracket, 1.5" Stringer, 3/8" Rod
1067-X112	Slotted Support Bracket, 1.5" Stringer, 1/2" Rod
1067-X158	Slotted Support Bracket, 1.5" Stringer, 5/8" Rod
1067-X238	Slotted Support Bracket, 2" Stringer, 3/8" Rod
1067-X212	Slotted Support Bracket, 2" Stringer, 1/2" Rod
1067-X258	Slotted Support Bracket, 2" Stringer, 5/8" Rod



Ceiling Support Brackets

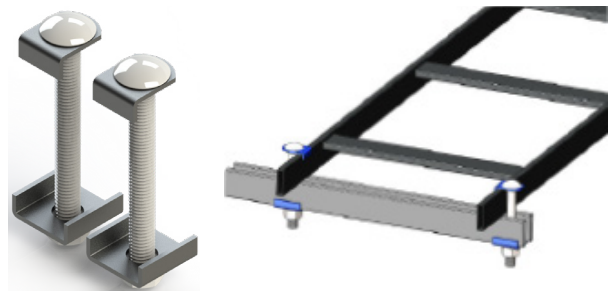
The Ceiling Support Bracket is used to attach threaded rod to the ceiling. Finish is black or clear chem film over zinc plating. Please note: Hardware not included and must be ordered separately.



Part #	Description
1019-X38	Ceiling Support Bracket, 3/8" Rod
1019-X12	Ceiling Support Bracket, 1/2" Rod
1019-X58	Ceiling Support Bracket, 5/8" Rod

Auxiliary Framing Clip

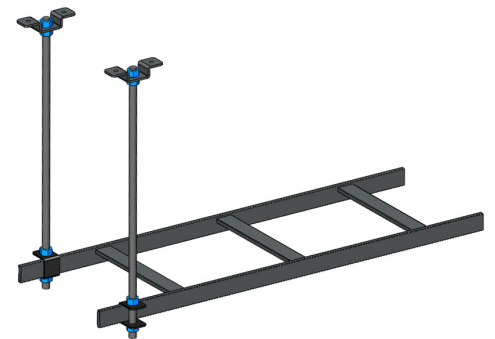
For Fastening Cable Runway to framework. Material is steel finished with zinc plating.



Part #	Description
1645-X01	Auxiliary Framing Clip for 3/8" x 2" Channel
1645-X02	Auxiliary Framing Clip for 9/16" x 2" Channel

Cable Runway Threaded Ceiling Kits

The Ceiling Support Kit is used to attach threaded rod to the ceiling. Finish is black or clear chem film over zinc plating. Please note: Lag bolts not included.

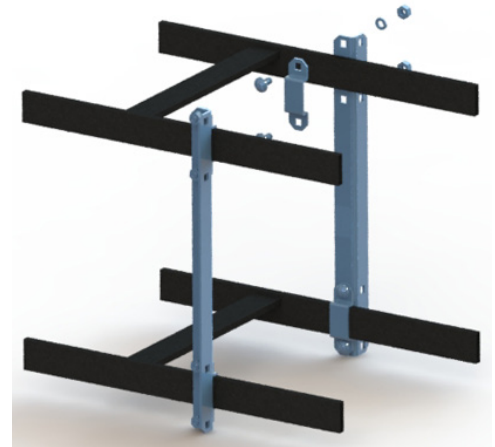


Part #	Description
1017-X138	Ceiling Kit, 1.5" Stringer, 3/8" Rod
1017-X112	Ceiling Kit, 1.5" Stringer, 1/2" Rod
1017-X158	Ceiling Kit, 1.5" Stringer, 5/8" Rod
1017-X238	Ceiling Kit, 2" Stringer, 3/8" Rod
1017-X212	Ceiling Kit, 2" Stringer, 1/2" Rod
1017-X258	Ceiling Kit, 2" Stringer, 5/8" Rod

Cable Runway Offset Kits

Use our Cable Runway Offset Kit to add runway parallel or perpendicular to the existing one. The kit includes two steel supports, four steel brackets and mounting hardware.

Part #	Description
1082-X106	Runway Offset Kit, 1.5" Stringer, 6" Offset
1082-X109	Runway Offset Kit, 1.5" Stringer, 9" Offset
1082-X112	Runway Offset Kit, 1.5" Stringer, 12" Offset
1082-X206	Runway Offset Kit, 2" Stringer, 6" Offset
1082-X209	Runway Offset Kit, 2" Stringer, 9" Offset
1082-X212	Runway Offset Kit, 2" Stringer, 12" Offset



Section 2

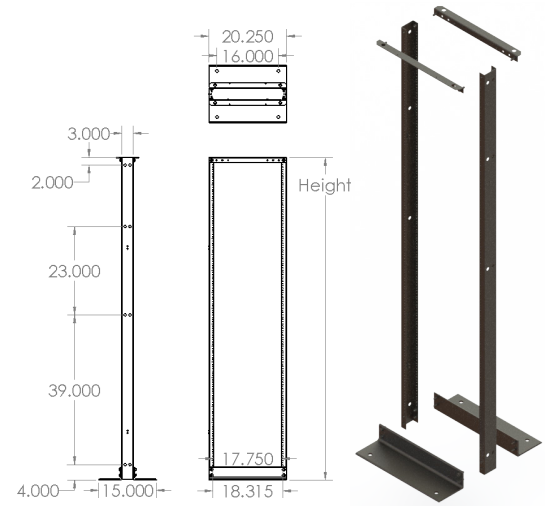
Open Racks

RXL's Two and Four post racks are designed to secure your networking and computing equipment in a neat and organized manner. Whether in a network closet or data-center space, we have a rack that can fit your needs. We offer standard size racks from 6' up to 8' and depths from 24" to 48". Our racks are made from high strength steel combined with aluminum components to reduce weight. We also offer custom solutions and can help develop a solution that meets your needs. All of our racks and rack accessories are compatible with other manufacturer's and can be used together/

Standard Colors: Black / Grey / White (Custom Colors per Request)

Assembled Two-Post Rack

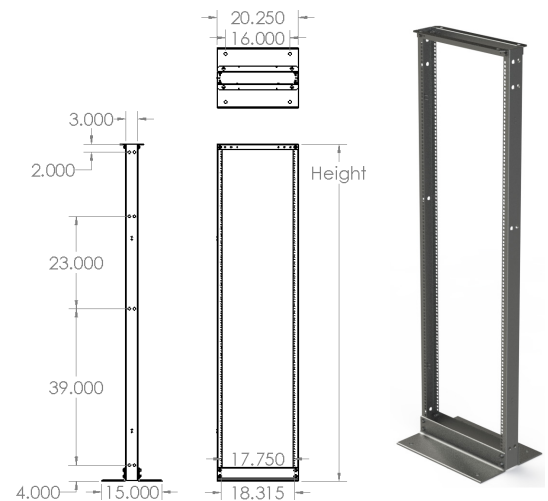
Our assembled two post rack, designed for telecommunication rooms, and data centers. Made from sturdy 11GA steel, with two top angles and 2 base angles. Our Uprights integrate grounding and combined with the bolt down base angles provide extra stability.



Part #	Description
2200-X70T	Assembled Two Post Rack, 7' H, 19" EIA, 3" Channels, #12-24 Tapped Rails
2200-X70S	Assembled Two Post Rack, 7' H, 19" EIA, 3" Channels, 3/8" Square Punched Rails
2200-X80T	Assembled Two Post Rack, 8' H, 19" EIA, 3" Channels, #12-24 Tapped Rails
2200-X80S	Assembled Two Post Rack, 7' H, 19" EIA, 3" Channels, 3/8" Square Punched Rails

Welded Two-Post Rack

Our welded two post rack, designed for telecommunication rooms, and data centers. Made from sturdy 11GA steel, with two top angles and 2 base angles. The components are welded together for load capacity and stability. Our uprights integrate grounding and combined with the bolt down base angles provide extra stability.

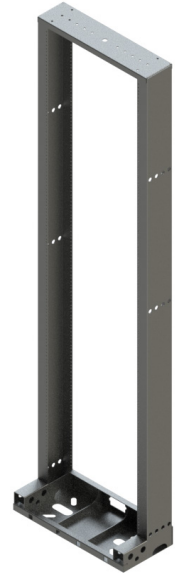


Part #	Description
2021-X70T	Welded Two Post Rack, 7' H, 19" EIA, 3" Channels, #12-24 Tapped Rails
2021-X70S	Welded Two Post Rack, 7' H, 19" EIA, 3" Channels, 3/8" Square Punched Rails
2021-X80T	Welded Two Post Rack, 8' H, 19" EIA, 3" Channels, #12-24 Tapped Rails
2021-X80S	Welded Two Post Rack, 7' H, 19" EIA, 3" Channels, 3/8" Square Punched Rails

Single Sided Seismic Two-Post Rack

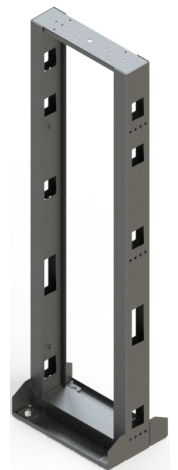
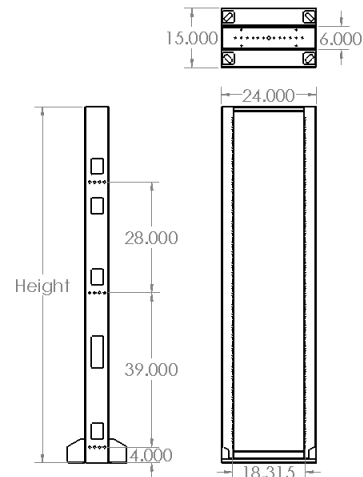
Our Seismic Rack is designed to support networking equipment in seismic prone areas. The enhanced rack construction features a fully welded 11 gauge steel design, able to withstand the motion created during a seismic event. Support 19" EIA rack mounted equipment. Mounting Rails are doubled walled for integrated cable management. Avoid being vulnerable during a seismic event.

Part #	Description
2821-X70T	Seismic Two-Post Rack, 7' H, 19" EIA, #12-24 Tapped Rails
2821-X70S	Seismic Two-Post Rack, 7' H, 19" EIA, 3/8" Square Punched Rails
2821-X76T	Seismic Two-Post Rack, 7'6" H, 19" EIA, #12-24 Tapped Rails
2821-X76S	Seismic Two-Post Rack, 7'6" H, 19" EIA, 3/8" Square Punched Rails



HD Double Sided Seismic Two-Post Rack

Our Seismic Rack is designed to support networking equipment in seismic prone areas. The enhanced rack construction features a fully welded 11 gauge steel design, able to withstand the motion created during a seismic event. Support 19" EIA rack mounted equipment. Mounting Rails are doubled walled for integrated cable management. Avoid being vulnerable during a seismic event.

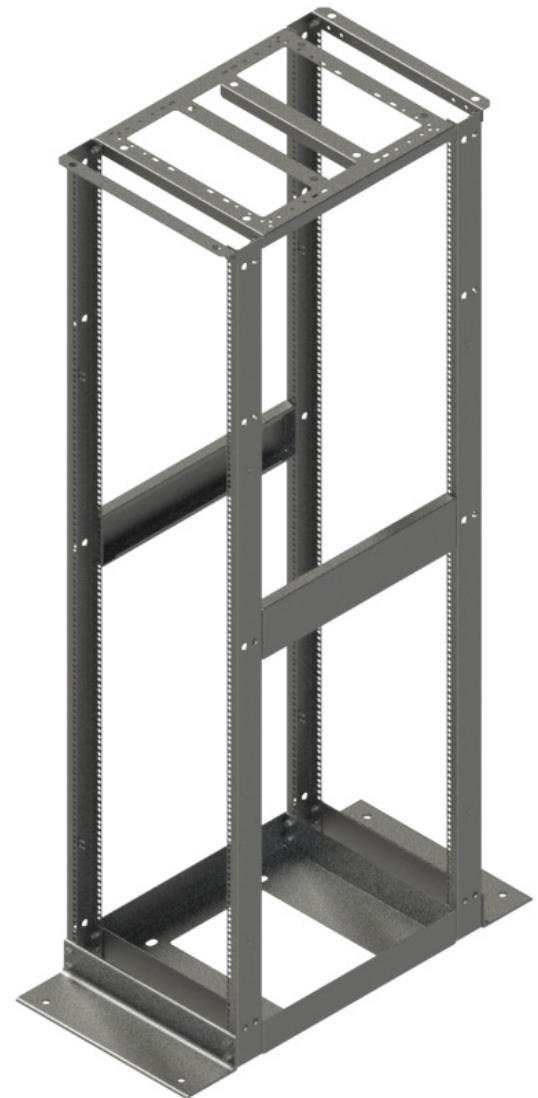
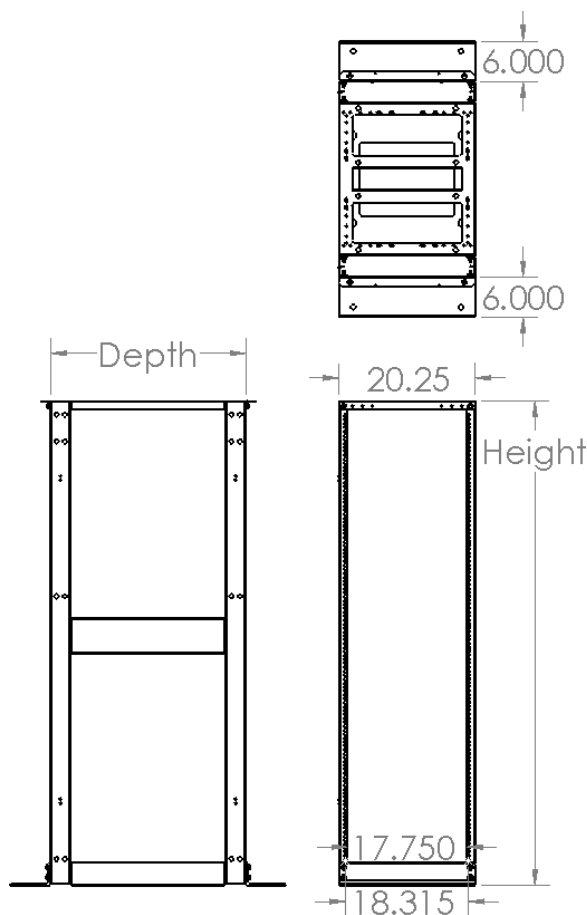


Part #	Description
2822-X70T	Heavy Duty Seismic Two-Post Rack, 7' H, 19" EIA, #12-24 Tapped Rails
2822-X70S	Heavy Duty Seismic Two-Post Rack, 7' H, 19" EIA, 3/8" Square Punched Rails
2822-X76T	Heavy Duty Seismic Two-Post Rack, 7'6" H, 19" EIA, #12-24 Tapped Rails
2822-X76S	Heavy Duty Seismic Two-Post Rack, 7'6" H, 19" EIA, 3/8" Square Punched Rails

Four-Post Fixed Server Rack

The 4-Post Fixed Server Rack supports IT equipment in Data Centers and Telecommunication rooms. Support standard 19" equipment. This rack can collaborate with both 2 and 4 post racks to expand existing systems. Easy to assembly, Created from (2) Two post racks and depth panels.

- 19 inches wide by 7 feet tall (45U)
- 4 fixed depths
- Rack Unit markings on equipment rails
- Choice of powder coated finish

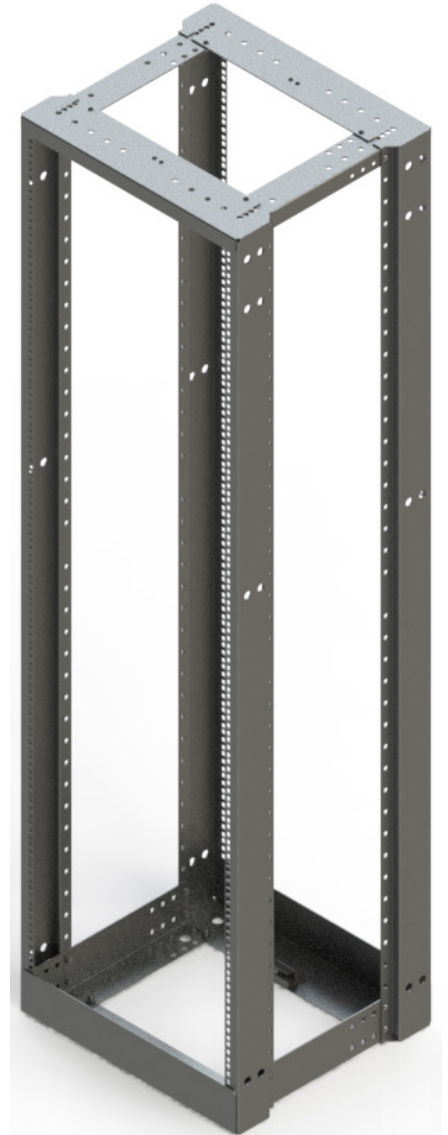
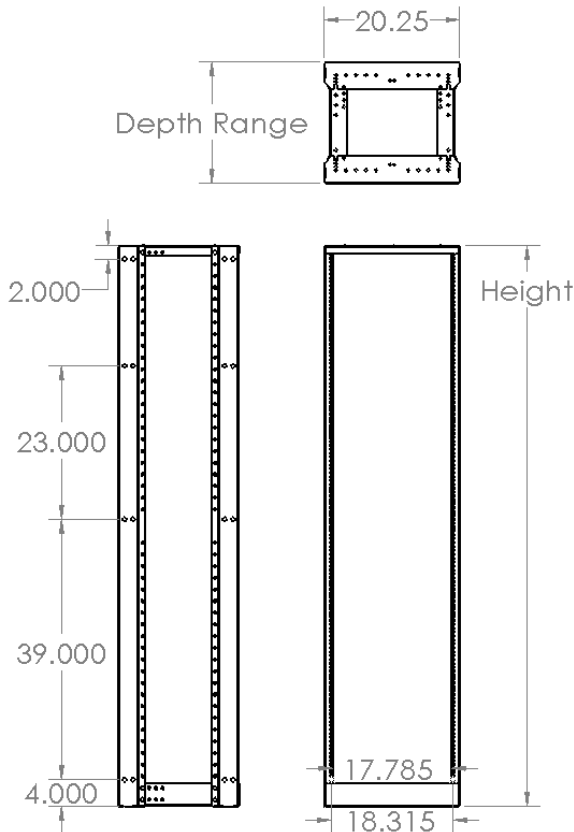


ORDERING INFORMATION								
2442-	Color		Height (Overall/RU)		Depth		Rail Style	
	WH	White	70	7' (45U)	24	24"	T	12-24 Tapped
	BK	Black	80	8' (51U)	29	29"	S	3/8" Square
	GR	Gray			36	36"		

Adjustable Open Four-Post Racks

The Adjustable 4Post Rack supports the standard 19" EIA width equipment, commonly used in IT data centers and telecommunication rooms. Easy to assembly, Attach four depth brackets to welded rails, adjust depth as necessary.

- 19 inches wide by 7 feet tall (45U)
- Adjustable depth
- Rack Unit markings on equipment rails
- Choice of powder coated finish
- Includes a Two Mounting Hole Ground Terminal Block
- Load Capacity of 2000lbs



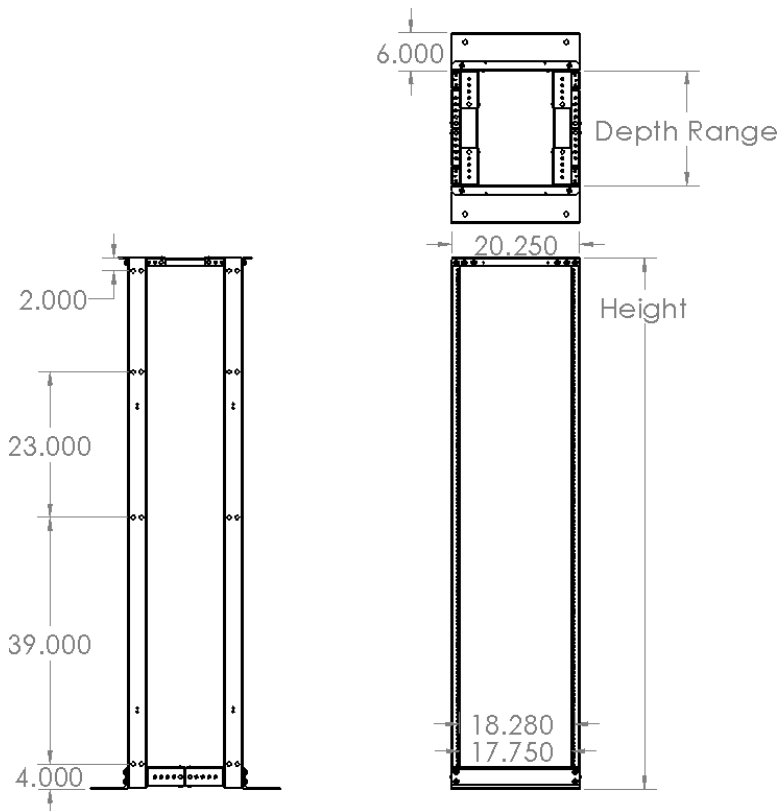
ORDERING INFORMATION

2410-	Color	Height (Overall/RU)		Depth (Range)		Rail Style	
	WH White	70	7' (45U)	21	15"-21"	T	12-24 Tapped
	BK Black	80	8' (51U)	28	22"-28"	S	3/8" Square
	GR Gray			35	29"-35"		
				42	36"-42"		

Telescoping Four-Post Racks

The Telescoping 4Post Rack supports the standard 19" EIA width equipment, commonly used in IT data centers and telecommunication rooms. Made from two half 2Post Racks with telescoping brackets. Easy to assembly, Attach four telescoping brackets to rails.

- Adjustable depth
- Rack Unit markings on equipment rails
- Choice of powder coated finish
- Convertible from 2Post and 4Post

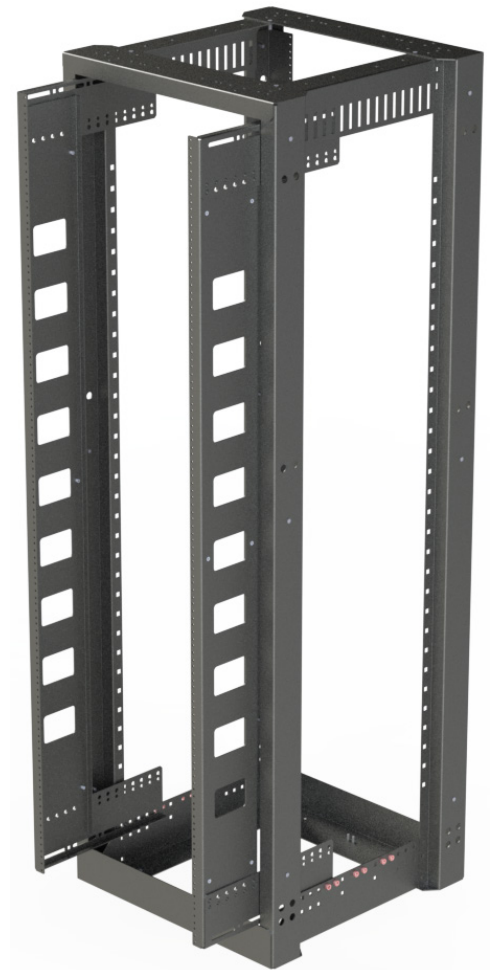


ORDERING INFORMATION								
2440-	Color		Height (Overall/RU)		Depth (Range)		Rail Style	
	WH	White	70	7' (45U)	24	18"-24"	T	12-24 Tapped
	BK	Black	80	8' (51U)	30	24-30"	S	3/8" Square
	GR	Gray			36	30"-36"		
					42	36"-42"		

Adjustable Rail Four-Post Racks

The Adjustable Rail 4Post Rack supports the standard 19" EIA width equipment, commonly used in IT data centers and telecommunication rooms. Rack consists of 2 fixed frames with depth brackets. Rails are easily mounted and adjusts to a variety of equipments.

- Easy to assembly, adjust depth as necessary.
- Rack Unit markings on equipment rails
- Choice of powder coated finish
- Includes Grounding Terminal Block
- Load Capacity of 2000lbs

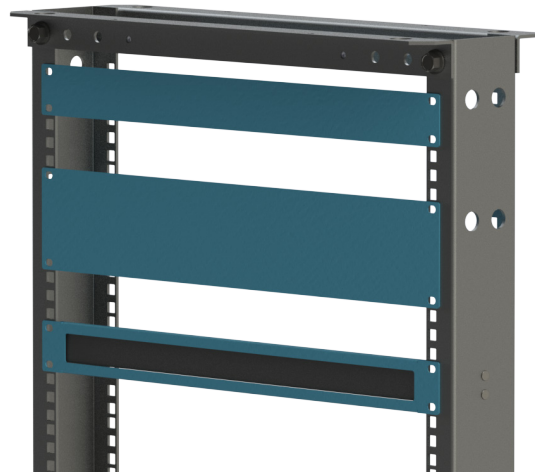


ORDERING INFORMATION								
2552-	Color		Height (Overall/RU)		Depth (Range)		Rail Style	
	WH	White	70	7' (45U)	24	15" -24"	T	12-24 Tapped
	BK	Black	80	8' (51U)	32	15" -32"	S	3/8" Square
	GR	Gray			40	15" -40"		
					42	15" -42"		

Filler Panels

Use to fill gaps between installed equipment to prevent bypass airflow. Choice of powder coated finish.

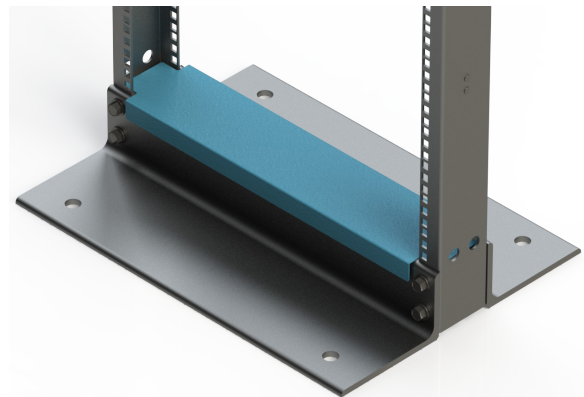
Part #	Description
2029-X01	Flanged Filler Panel, Metal, 19"W, 1U
2029-X02	Flanged Filler Panel, Metal, 19"W, 2U
2030-X01	Flat Filler Panel, Metal, 19"W, 1U
2030-X02	Flat Filler Panel, Metal, 19"W, 2U
2030-X03	Flat Filler Panel, Metal, 19"W, 3U
2030-X04	Flat Filler Panel, Metal, 19"W, 4U
2031-X01	Brushed Filler Panel, Metal, 19"W, 1U
2031-X02	Brushed Filler Panel, Metal, 19"W, 2U



Rack Base Dust Covers

The Rack Base Duct Cover prevents dust and dirt from collecting at the base of the rack. The Rack Base Dust Cover is designed to fit over the top of the base angles. Choice of powder coated finish.

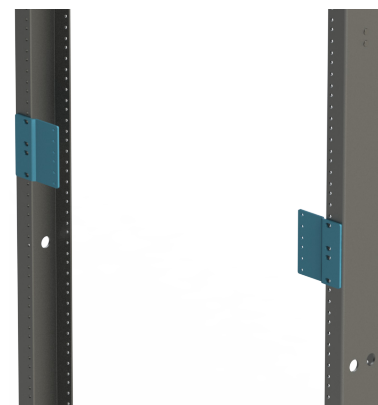
Part #	Description
2019-X19	Rack Base Dust Cover, 19"W



Rack Adapter

Rack Adapters allow 19"W equipment to be mounted on a 23"W rack. Adapters are jogged so the mounted equipment is flush with other installed equipment. Optional slot for cable pass through available.

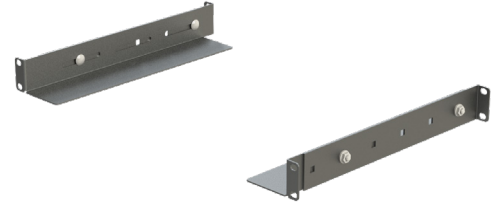
Part #	Description
2014-X01	Rack Adapters, 23" to 19", 1U Height
2014-X02	Rack Adapters, 23" to 19", 2U Height
2014-X03	Rack Adapters, 23" to 19", 3U Height
2014-X04	Rack Adapters, 23" to 19", 4U Height



Adjustable Horizontal Server Brackets

The Adjustable Server brackets are used for supporting equipment when you don't want a full shelf. Made of 14Ga steel. Powder coated any color.

Part #	Description
2406-X12	Adj. Horizontal Server Bracket, 1U, Range: 12" - 20"
2406-X24	Adj. Horizontal Server Bracket, 1U, Range: 24" - 40"



Standard Two-Post Rack Shelves

Designed to hold equipment up to 17.75" inches Wide with a loading rating up to 100lbs when using. Available in single-sided, double-sided, vented and solid versions. Choice of powder coated finish.

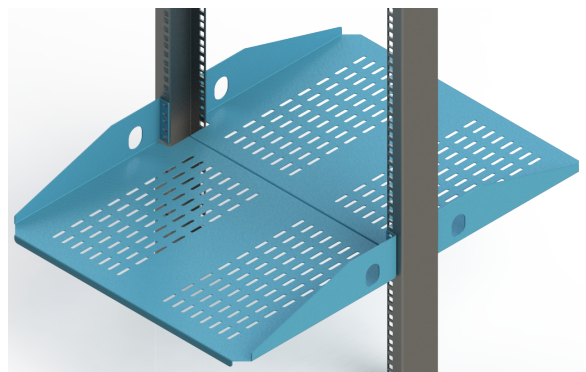
Part #	Description
2051-X01P	Single Side Shelf, 1U, 19"W x 14"D, Perforated
2051-X01S	Single Side Shelf, 1U, 19"W x 14"D, Solid
2051-X02P	Single Side Shelf, 2U, 19"W x 14"D, Perforated
2051-X02S	Single Side Shelf, 2U, 19"W x 14"D, Solid



Dual Side Two-Post Rack Shelves

Designed to hold equipment up to 36 inches Deep, when using 2 shelves back to back. (Load rating 50lbs/Shelf) Available in single-sided, double-sided, vented and solid versions. Mounting Flange Folds inward. Choice of powder coated finish.

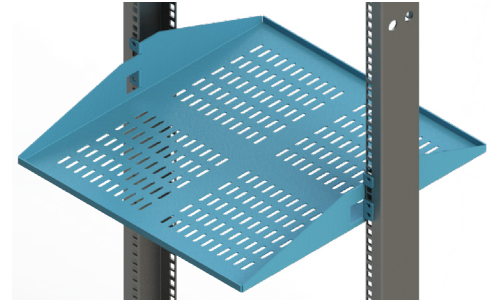
Part #	Description
2053-X27P	Double Side Shelf, 2U, 19"W x 27"D, Perforated
2053-X27S	Double Side Shelf, 2U, 19"W x 27"D, Solid
2053-X33P	Double Side Shelf, 2U, 19"W x 33"D, Perforated
2053-X33S	Double Side Shelf, 2U, 19"W x 33"D, Solid
2053-X36P	Double Side Shelf, 2U, 19"W x 36"D, Perforated
2053-X36S	Double Side Shelf, 2U, 19"W x 36"D, Solid



Center Mount Two-Post Rack Shelf

Designed to hold equipment up to 19.375" inches Wide with a loading rating up to 60lbs. Great for keeping the weight of the rack centered.

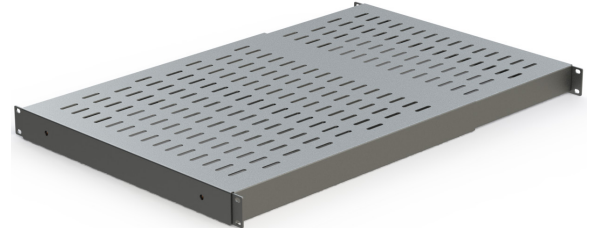
Part #	Description
2058-X19P	Center Mount Shelf, 2U, 19"W x 19"D, Perforated
2058-X19S	Center Mount Shelf, 2U, 19"W x 19"D, Solid



Telescopic Four-Post Rack Shelf

Designed to hold equipment up to 19" inches Wide with a variety of depth options in a complete solid surface. These also come in vented for air flow. 75 lb rating

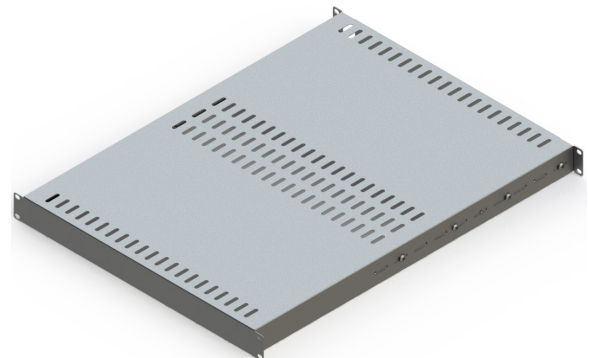
Part #	Description
2454-X12	Telescopic Shelf, 1U, 19"W, Range: 12" - 20"
2454-X18	Telescopic Shelf, 1U, 19"W, Range: 18" - 32"
2454-X24	Telescopic Shelf, 1U, 19"W, Range: 24" - 44"



Adjustable Four-Post Rack Shelf

Designed to hold equipment up to 19" inches Wide with a variety of depth options with a fixed solid shelf and an open space for cable passage or air flow. These also come vented for additional air flow. 75 lb rating

Part #	Description
2451-X24	Adjustable Shelf, 1U, 19"W, Range: 24" - 36"
2451-X29	Adjustable Shelf, 1U, 19"W, Range: 29" - 41"
2451-X36	Adjustable Shelf, 1U, 19"W, Range: 36" - 48"



Leveler Attachment Kit

The leveler attachment kit helps level equipment on uneven surfaces. It can also be used to lift a fully populated rack onto our "Rack Dolly Skates", saving labor and down time in mobility.

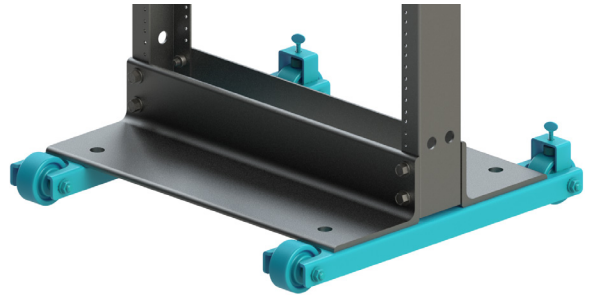
Part #	Description
2540-X01	Leveler Attachment Kit, 1 Pair
2540-X02	Leveler Attachment Kit, 2 Pair



Rack Dolly Skates

Rack dolly skates provide mobility for your 2 post rack.

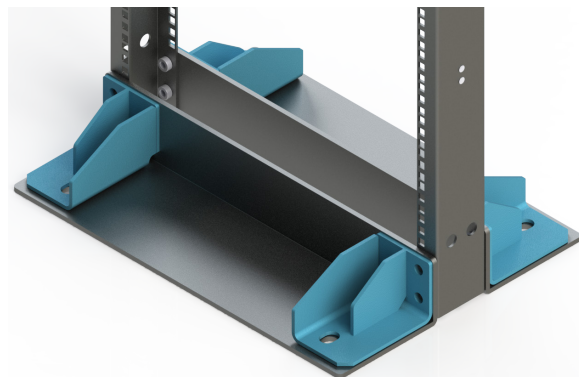
Part #	Description
2541-X12	Rack Dolly Skates, for 12" Depth



Seismic Gusset Kit

This kit provides seismic support to rack joints. Reduces the need to stabilize the top of the rack.

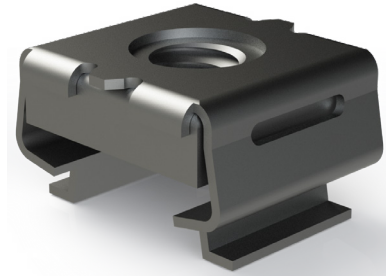
Part #	Description
2592-X01	Seismic Gusset Kit, 1 Pair
2592-X02	Seismic Gusset Kit, 2 Pair



Floating Cage Nut

#12-24, Floating Cage nut

Part #	Description
2049-BZ025	Floating Cage Nut, #12-24, QTY 25
2049-BZ050	Floating Cage Nut, #12-24, QTY 50
2049-BZ100	Floating Cage Nut, #12-24, QTY 100



Rack Mounting Screws

#12-24, Tapped Screw

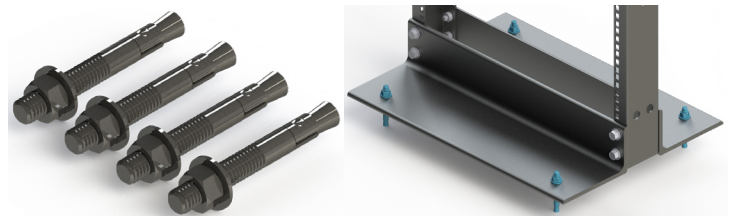
Part #	Description
2050-BZ025	Rack Screws, #12-24, QTY 25
2050-BZ050	Rack Screws, #12-24, QTY 50
2050-BZ100	Rack Screws, #12-24, QTY 100



Frame/Rack Installation Anchor Kit

The Network Rack Anchor Kit is used to in concrete settings. The Kit comes with 4 anchors with clear zinc finish.

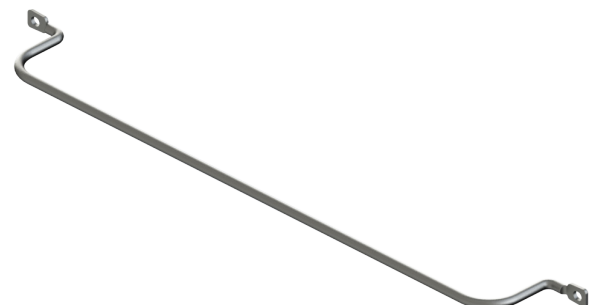
Part #	Description
2038-CZ3816	3/8"-16 x 3" Concrete Anchor, 4 Pack
2038-CZ1213	1/2"-13 x 3" Concrete Anchor, 4 Pack



Lashing Bar

Attaches to Port Patch Panel to route cables

Part #	Description
2087-X1902	Horizontal Lashing Bar, 2" D
2087-X1904	Horizontal Lashing Bar, 4" D
2087-X1905	Horizontal Lashing Bar, 5" D



Section 3 Cable Management

Our comprehensive and cost saving offerings maintain industry standard single sided or double sided cable managers. All the cable managers are fully compatible with our Two-Post Rack or Adjustable Four-Post Racks as well as other manufacturers. Our line of vertical cable managers will help you organize, manage and protect your cabling and equipment. All cable managers come fully assembled to save you setup time. We also offer both economical and premium cable managers to fit your budget or cosmetic requirements.

Standard Colors: Black / Grey / White (Custom Colors per Request)

E-Series Line

Single / Double / Combo



XVM Series Line

Single / Double / Combo

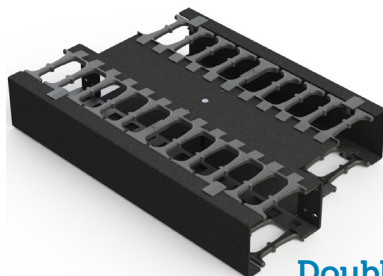


Vertical Managers

Single Sided

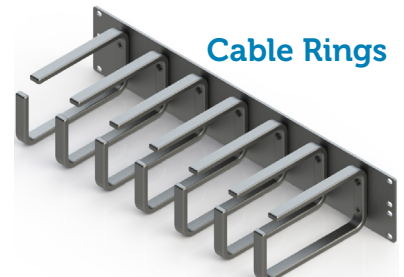


Horizontal Managers



Double Sided

Cable Rings



Horizontal Cable Managers

Use our Horizontal Cable Manager together with RXL's open architecture (Two-Post or Adjustable Four-Post Rack) products to organize and store cables. The Horizontal Cable Manager includes plastic cable guides to organize cable pathways as they enter and exit the manager to make individual equipment connections.

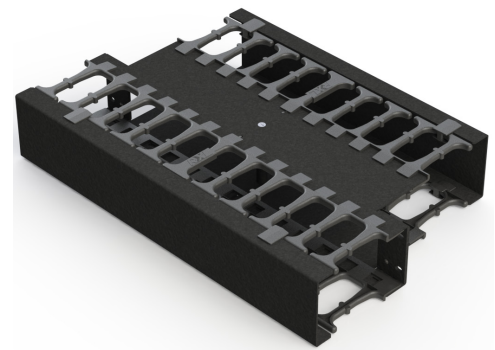
Single Sided Horizontal Cable Managers

ORDERING INFORMATION					
3010-	Color		Rack Units		Cable Fingers (Depth)
	WH	White	1	1U	S Short (3.25")
	BK	Black	2	2U	L Long (5.75")
	GR	Gray	4	4U	



Double Sided Horizontal Cable Managers

ORDERING INFORMATION					
3110-	Color		Rack Units		Cable Fingers (Depth)
	WH	White	1	1U	S Short (3.25")
	BK	Black	2	2U	L Long (5.75")
	GR	Gray	4	4U	



Replace "X" with 01 for White, 02 for Black or 04 for Gray

E-Series Vertical Cable Managers

The E Series cable managers the most versatile cable manager. You can order it in a single sided, and then add the rear rings to create a combo manager or you can purchase 2 singles and bolt them back to back to create a double sided manager. The Front Covers are split so you can access either top or bottom. Bolts to most all 2 and 4 post racks.

Single Sided E-Series Cable Managers

ORDERING INFORMATION										
3510-	Color		Height (RU)		Width		Cable Fingers (Depth)		Door Style	
	WH	White	70	7' (45U)	06	6" Trough	S	Short (3.25")	F	Flat
	BK	Black	80	8' (51U)	08	8" Trough	L	Long (5.75")	C	Channel
	GR	Gray			10	10" Trough				



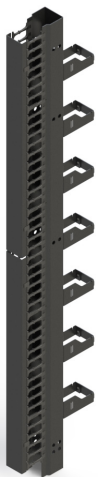
Double Sided E-Series Cable Managers

ORDERING INFORMATION										
3500-	Color		Height (RU)		Width		Cable Fingers (Depth)		Door Style	
	WH	White	70	7' (45U)	06	6" Trough	S	Short (3.25")	F	Flat
	BK	Black	80	8' (51U)	08	8" Trough	L	Long (5.75")	C	Channel
	GR	Gray			10	10" Trough				



Combo E-Series Cable Managers

ORDERING INFORMATION										
3520-	Color		Height (RU)		Width		Cable Fingers (Depth)		Door Style	
	WH	White	70	7' (45U)	06	6" Trough	S	Short (3.25")	F	Flat
	BK	Black	80	8' (51U)	08	8" Trough	L	Long (5.75")	C	Channel
	GR	Gray			10	10" Trough				



XVM Series Vertical Cable Managers

RXL's Premium Cable Management line. This line is made from steel construction and has hinged latching doors. We offer 45U and 51U heights with 4,6,8,10 and 12 inch widths. The Vertical Cable Manager includes plastic cable guides to organize cable pathways as they enter and exit the manager to make individual equipment connections.

Single Sided XVM Cable Managers

ORDERING INFORMATION								
3343-	Color		Height (RU)		Width		Cable Fingers (Depth)	
	WH	White	70	7' (45U)	06	6" Trough	S	Short (3.25")
	BK	Black	80	8' (51U)	08	8" Trough	L	Long (5.75")
	GR	Gray			10	10" Trough		
					12	12" Trough		



Double Sided XVM Cable Managers

ORDERING INFORMATION								
3353-	Color		Height (RU)		Width		Cable Fingers (Depth)	
	WH	White	70	7' (45U)	06	6" Trough	S	Short (3.25")
	BK	Black	80	8' (51U)	08	8" Trough	L	Long (5.75")
	GR	Gray			10	10" Trough		
					12	12" Trough		



Combo XVM Cable Managers

ORDERING INFORMATION								
3363-	Color		Height (RU)		Width		Cable Fingers (Depth)	
	WH	White	70	7' (45U)	06	6" Trough	S	Short (3.25")
	BK	Black	80	8' (51U)	08	8" Trough	L	Long (5.75")
	GR	Gray			10	10" Trough		
					12	12" Trough		



Double Sided Wired Finger Vertical Cable Manager

RXL's Premium Cable Management line. This line is made from all steel construction with metal cable management fingers front and rear. With the XVM hinged latching doors. We offer 45U and 51U heights with 4,6,8,10 and 12 inch widths.



ORDERING INFORMATION						
3335-	Color		Height (RU)		Width	
	WH	White	70	7' (45U)	06	6"
	BK	Black	80	8' (51U)	08	8"
	GR	Gray			10	10"
					12	12"

Single Sided Wired Finger Vertical Cable Manager

RXL's Premium Cable Management line. This line is made from all steel construction with metal cable management fingers. With the XVM hinged latching doors. We offer 45U and 51U heights with 4,6,8,10 and 12 inch widths.



ORDERING INFORMATION						
3344-	Color		Height (RU)		Width	
	WH	White	70	7' (45U)	06	6"
	BK	Black	80	8' (51U)	08	8"
	GR	Gray			10	10"
					12	12"

Section 4 Wall Mounts

RXL's Wall mount products provide a safe and secure way to install equipment where floor space is limited. Whether you need to mount 1 piece of equipment or a full install we have a solution for you. Our products are UL Listed and come in a variety of sizes and colors.

Standard Colors: Black / Grey / White (Custom Colors per Request)

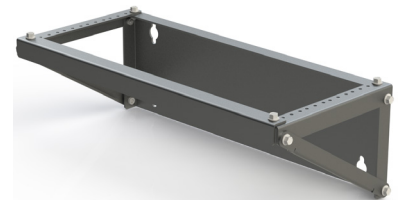
Standard Cube Wall Mount



Swing Rack



Flush Vertical Wall Bracket



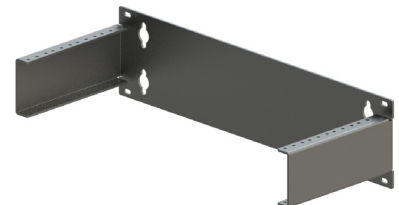
Slim Wall Mount



PolyFrame Wall Rack



Fixed Wall Bracket



Fixed Wall Mount



Fixed Heavy Duty Wall Rack



Standard Cube Wall Mount

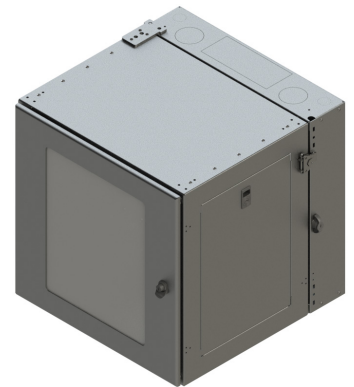
Our standard cube wall mount is designed perfectly for 19" EIA rack equipment. Ideal for retail locations, classrooms, and other areas with limited floor space. This cabinet has a load capacity of 250lbs, made from heavy duty steel and a powder-coated finish. The front door features a Shatter/Heat/UV resistant lexan glass window that allows you to oversee equipment without having to unlock the Enclosure.



ORDERING INFORMATION										
4500-	Color		Rack Units	Overall Height	Usable Depth	Overall Depth	Door Style		Rail Style	
	WH	White	12	24"	13	19.25"	S	Solid	T	12-24 Tapped
	BK	Black	18	34.5"	18	24.25"	P	Perforated	S	3/8 Square
			25	46.75"	23	29.25"	G	Plexi-Glass		

Side Panel Cube Wall Mount

Our side panel cube wall mount is designed as a premium upgrade from our standard cube wall mount. Now equipped with removable side panels for easy side equipment servicing. Ideal for retail locations, classrooms, and other areas with limited floor space. This cabinet has a load capacity of 250lbs, made from heavy duty steel and a powder-coated finish. The front door features a Shatter/Heat/UV resistant lexan glass window that allows you to oversee equipment without having to unlock the Enclosure.



ORDERING INFORMATION										
4505-	Color		Rack Units	Overall Height	Usable Depth	Overall Depth	Door Style		Rail Style	
	WH	White	12	24"	13	19.25"	S	Solid	T	12-24 Tapped
	BK	Black	18	34.5"	18	24.25"	P	Perforated	S	3/8 Square
			25	46.75"	23	29.25"	G	Plexi-Glass		

Fixed Wall Mount

Our Fixed Wall Mount is a structurally sound enclosure that provides secure storage for rack equipment. This cabinet has a load capacity of 250lbs, made from heavy duty steel and a powder-coated finish.

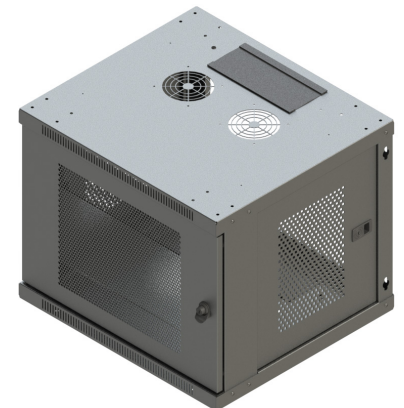


ORDERING INFORMATION

4535-	Color		Rack Units	Overall Height
	WH	White	06	14.75"
	BK	Black	09	20"
	GR	Grey	12	25.25"

Stacking Wall Mount

Our Stacking Wall Mount is structurally sound enclosure that provides secure storage for rack equipment. There are multiple options, sizes, and upgrades to fit the security, airflow and storage space requirements



ORDERING INFORMATION

4340-	Color		Rack Units	Overall Height	Door Style	
	WH	White	06	14.75"	S	Solid
	BK	Black	09	20"	P	Perforated
	GR	Grey	12	25.25"	G	Plexi-Glass

Slim Wall Mount

The Slim Wall Enclosure is a sturdy solution for mounting equipment to the wall where floor space is limited. Perfect for classrooms and retail stores. Equipment can mount vertically or horizontally. 19" EIA Threaded Equipment Rails. Rail Hardware is Included. Wall Mount Hardware NOT Included



ORDERING INFORMATION							
4001-	Color		Overall Height (in.)	Rack Units	Overall Depth	Door Style	
	WH	White	26	02	5"	S	Solid
	BK	Black	36	04	8.5"	P	Perforated
	GR	Grey		06	12"		

Demarcation Wall Mount

The DMARC enclosure is perfect for co-location environments where individualized network drops are essential for security. Front Door Lock is a combination lock



ORDERING INFORMATION				
4030-	Color		Rack Units	Overall Height
	WH	White	18	35"
	BK	Black	22	42"
	GR	Grey	24	45.5"

PolyFrame Wall Rack

Our PolyFrame Wall Rack is designed to provide a strong support to wall mount equipment where floor space is limited. 19" EIA Threaded Equipment Rails. Rails are marked with numbers for easy alignment. Supports 100 Lbs of equipment. Wall Mount Hardware NOT Included



ORDERING INFORMATION						
4601-	Color		Rack Units	Overall Height	Overall Depth	Usable Depth
	WH	White	06	14.75"	12	11"
	BK	Black	12	20"	18	17"
	GR	Grey	18	25.25"	24	23"

Fixed Heavy Duty Wall Rack

The Fixed Wall Rack is a sturdy solution for mounting equipment to the wall Where floor space is limited. 19" EIA Threaded Equipment Rails. Rails are marked with numbers for easy alignment. Supports 150 Lbs of equipment. Wall Mount Hardware NOT Included.



ORDERING INFORMATION						
4502-	Color		Rack Units	Overall Height	Overall Depth	Usable Depth
	WH	White	08	16.25"	19	16"
	BK	Black	15	21.5"	24	21"
	GR	Grey	18	26.75"	30	27"
			20	32"		
			21	37.25"		
			24	40.75"		

Swing Rack

The Swing Gate is a cost effective EIA solution for mounting network, communications and security equipment in telecommunications rooms where floor space is limited. 19" EIA Threaded Equipment Rails. Opens 180 Degree Right and Left. Supports 100 lbs of equipment. Wall Mount Hardware NOT Included.

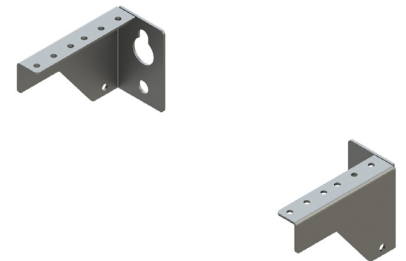


ORDERING INFORMATION						
4750-	Color		Rack Units	Overall Height	Overall Depth	Usable Depth
	WH	White	12	26.75"	12	10"
	BK	Black	18	37.25"	18	16"
	GR	Grey	24	47.75"	24	22"

Wall Rack Bracket Adapters

Our Wall Rack Bracket Adapters are perfect for rooms with limited space where an enclosure is not needed. They can be used with 19" or 23" equipment. Available in 2U or 3U.

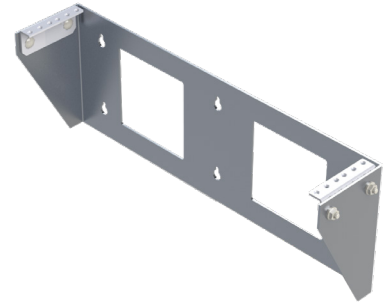
ORDERING INFORMATION				
4009-	Color		Rack Units	Overall Depth
	WH	White	02	3.75"
	BK	Black	03	5.5"
	GR	Grey		



Vertical Wall Bracket

This Wall Mount system is perfect for rooms with limited space where an enclosure is not needed. Made of 14GA steel. Powder coated any color. Mounting rails offered in 2U or 4U. #12-24 Threaded.

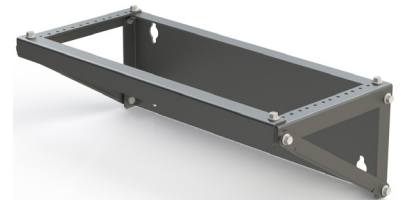
ORDERING INFORMATION				
4411-	Color		Rack Units	Overall Depth
	WH	White	02	4"
	BK	Black	04	7.5"
	GR	Grey		



Flush Vertical Wall Bracket

This Wall Mount system is perfect for rooms with limited space where an enclosure is not needed. Made of 14GA steel. Powder coated any color. Mounting rails offered in 2U or 4U. #12-24 Threaded.

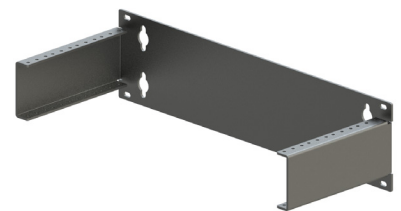
ORDERING INFORMATION				
4474-	Color		Rack Units	Overall Depth
	WH	White	02	5.5"
	BK	Black	04	9"
	GR	Grey		



Fixed Vertical Wall Bracket

Our Fixed Vertical Wall Bracket is perfect for rooms with limited space where an enclosure is not needed. Made of 14GA steel. Powder coated any color. Mounting rails offered in 2U or 4U. #12-24 Threaded.

ORDERING INFORMATION				
4412-	Color		Rack Units	Overall Depth
	WH	White	02	4"
	BK	Black	04	7.5"
	GR	Grey		

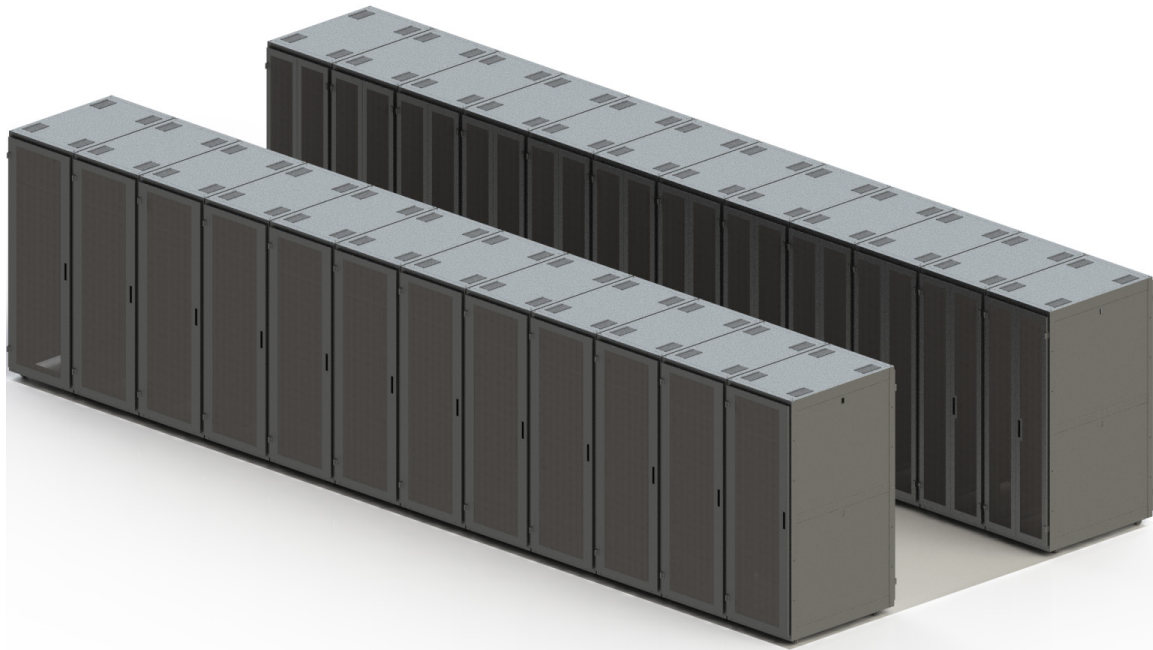


Section 5

Cabinets and Enclosures

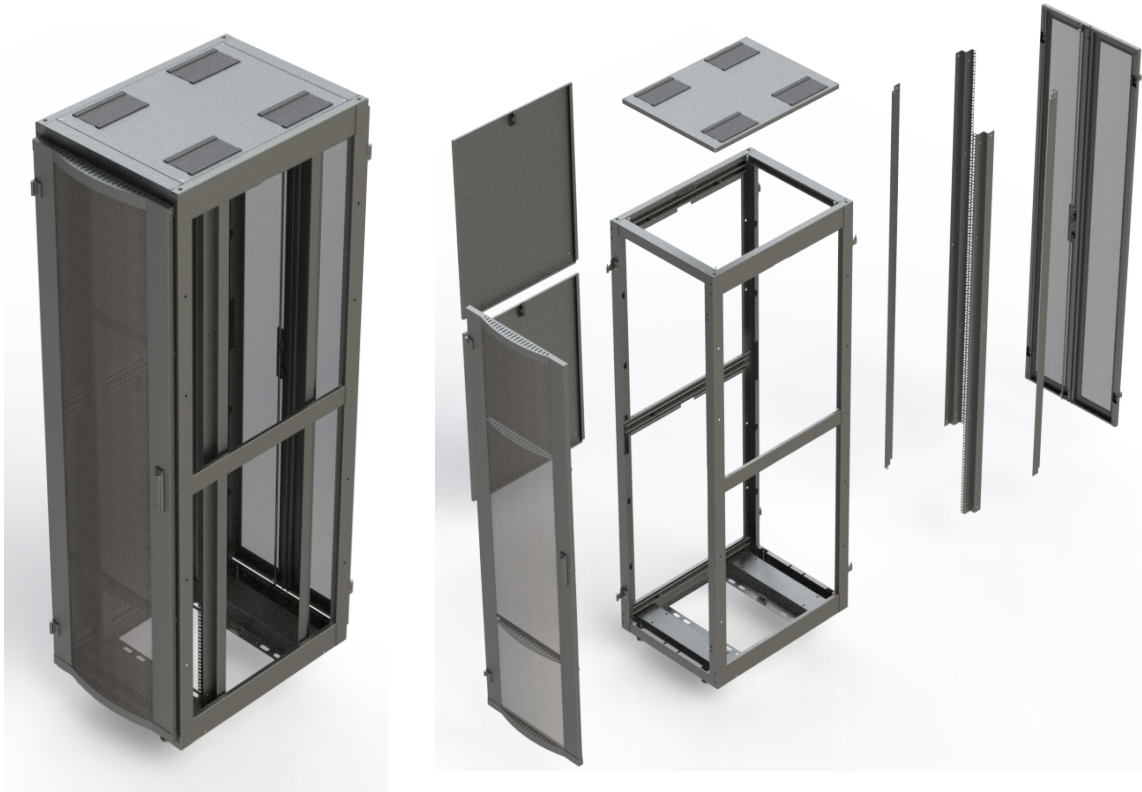
Our cabinets are designed to meet the current IT market trends with solutions for both high density computing and networking environments. Our products provide plenty of options for every situation while providing maximum airflow. Rest assured that our cabinets provide reliable storage for mission critical environments.

Standard Colors: Black / Grey / White (Custom Colors per Request)



Nemesis Series Cabinet

Our Nemesis Cabinets are designed to fit all of your applications from the economical knock down Cab, to a heavy duty fully welded frame construction. Many options are available. Vertical Exhaust systems, Air Seal Kits, Shock absorption pallets, integrated cable manager. You name it we either have it or will add it for you. Designed for use in Telecommunication rooms, Equipment rooms and Data Centers (not suitable for outdoor use)



ORDERING INFORMATION

5550-	Color	Rack Units	Frame Height	Overall Height	Frame Width	Width (mm)	Frame Depth	Depth (mm)	Overall Depth
	WH White	42	77.875"	80.375"	24	600	32	800	35"
	BK Black	45	83.125"	85.625"	28	700	36	900	38"
	GR Grey	48	88.375"	90.875"	30	750	40	1000	42"
		52	95.375"	97.875"	32	800	42	1050	44"
							48	1200	50"

Included

- (1) Nemesis Frame
 - (1) Perforated Double Back Doors
 - (4) Solid Side Panels
 - (1) Rail Hardware Kit*
 - (1) Arced Perforated Front Door
 - (2) Pairs 3/8" Square Punched Rails
 - (1) Brushed Network Top Panel
- *(50) #12-24 Rack Mounting Screws, (50) #12-24 Floating Cage Nuts

Tube Frame Series Cabinet

Our Tube Series Cabinet is a heavy duty fully welded tube frame construction. Many options are available. Features 19"W rack mount rails in square punched or 12-24 tapped rails. Integrated cable manager, open bottom for ventilation and bottom corners gusseted with seismic tie down and caster mount features. You name it we either have it or will add it for you.



STANDARD ORDERING INFORMATION

5750-	Color	Rack Units	Frame Height	Overall Height	Frame Width	Width (mm)	Frame Depth	Depth (mm)	Overall Depth
	WH White	42	77.75"	80"	24	600	32	800	35"
	BK Black	45	83"	85.25"	28	700	36	900	38"
	GR Grey	48	88.25"	90.5"	30	750	40	1000	42"
		52	95.25"	97.5"	32	800	42	1050	44"
							48	1200	50"

Included

- (1) Tube Frame
- (1) Perforated Double Back Doors
- (4) Solid Side Panels
- (1) Rail Hardware Kit*
- (1) Perforated Front Door
- (2) Pairs 3/8" Square Punched Rails
- (1) Brushed Network Top Panel

* (50) #12-24 Rack Mounting Screws, (50) #12-24 Floating Cage Nuts

Section 6 Zone Containments

RXL's containments are perfect for heating and cooling needs. We offer both CAC and HAC solutions that can be tailored to your specific requirements. Our containments separate hot exhaust air and cold supply air to dramatically increase the reliability of your data center while reducing your energy demands. Our containments com in both free standing structures and aisle containing ceiling and walls.

Standard Colors: Black / Grey / White (Custom Colors per Request)



Section 8 Strut Channel Products



Strut

RXL Strut channel is produce to industry standards ASTM A1011-04SS33 and ASTM A-653-SS33. RXL offers these typical profiles in Clear Zinc/Pre-galvanized and powder coated in black and white. Custom colors available upon request. Standard lengths are 10', will cut to length upon request in 1' increments.

Shallow Strut

14GA Steel, 13/16" x 1 5/8", 1.03 lbs./ft.

ORDERING INFORMATION					
8001-	Color		Length		Style
	WH	White	060	5'	NS No Slot
	BK	Black	072	6'	OS Open Slot
	CZ	Clear	084	7'	
			120	10'	



Deep Strut

12GA Steel, 1 5/8" x 1 5/8", 1.94 lbs./ft.

ORDERING INFORMATION					
8002-	Color		Length		Style
	WH	White	060	5'	NS No Slot
	BK	Black	072	6'	OS Open Slot
	CZ	Clear	084	7'	
			120	10'	



Double Strut

Two strut sections welded back to back. RXL Strut channel is produce to industry standards ASTM A1011-04SS33 and ASTM A-653-SS33. RXL offers these typical profiles in Clear Zinc/Pre-galvanized and powder coated in black and white. Custom colors available upon request. Standard lengths are 10', will cut to length upon request in 1' increments.

Double Sided Shallow H Strut

14GA Steel, 1 5/8" x 1 5/8", 2.06 lbs./ft.

ORDERING INFORMATION					
8003-	Color		Length		Style
	WH	White	060	5'	NS No Slot
	BK	Black	072	6'	OS Open Slot
	CZ	Clear	084	7'	
			120	10'	



Double Sided Deep H Strut

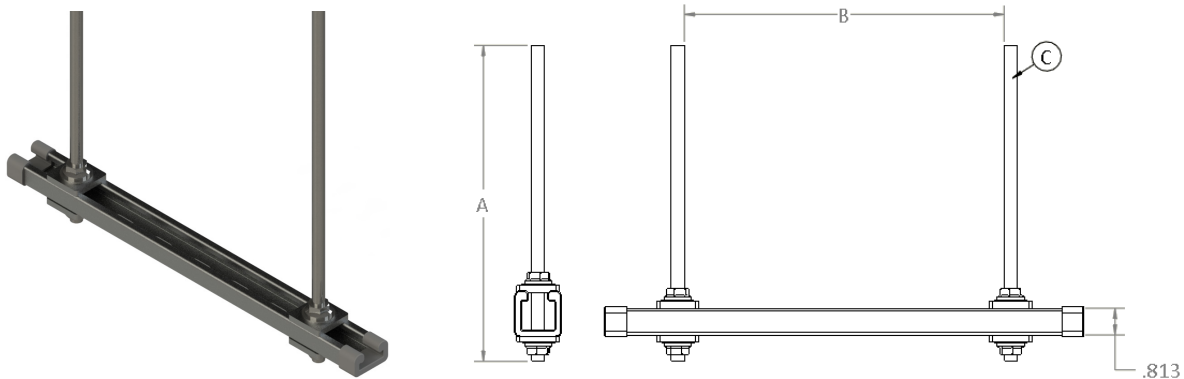
12GA Steel, 3 1/4" x 1 5/8", 3.88 lbs./ft.

ORDERING INFORMATION					
8004-	Color		Length		Style
	WH	White	060	5'	NS No Slot
	BK	Black	072	6'	OS Open Slot
	CZ	Clear	084	7'	
			120	10'	

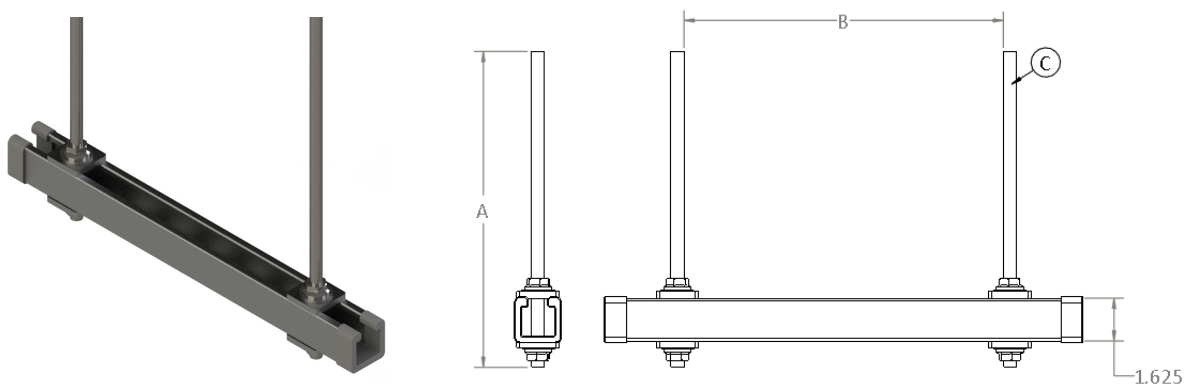


Single Teir Trapeze Kits

RXL prefabricated trapeze supports are made with a variety of options to support cable pathways. Our objective is to speed up install time and reduce scrap and waste. Custom colors and other configurations available upon request.



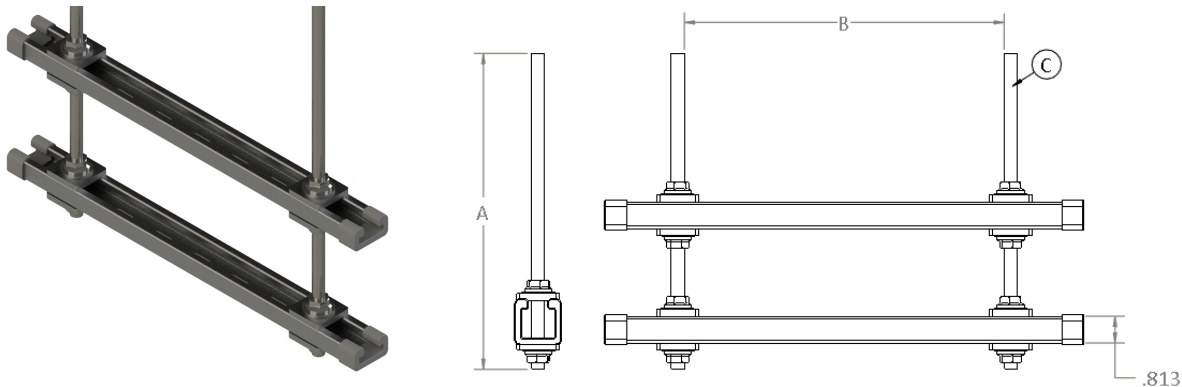
ORDERING INFORMATION								
8020-	Color		Height (A) (Thread Rod Length)		Width (B) (Between Rods)		Thread (C)	
	WH	White	36	3' Rod	12	1' Spacing	3816	3/8"-16
	BK	Black	48	4' Rod	24	2' Spacing	1213	1/2"-13
	GR	Gray	60	5' Rod	36	3' Spacing	5811	5/8-11
			72	6' Rod	48	4' Spacing		



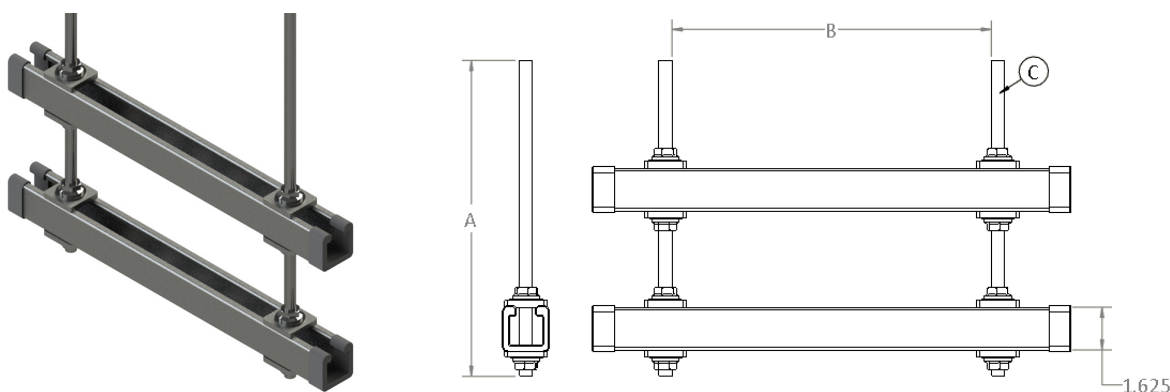
ORDERING INFORMATION								
8022-	Color		Height (A) (Thread Rod Length)		Width (B) (Between Rods)		Thread (C)	
	WH	White	36	3' Rod	12	1' Spacing	3816	3/8"-16
	BK	Black	48	4' Rod	24	2' Spacing	1213	1/2"-13
	GR	Gray	60	5' Rod	36	3' Spacing	5811	5/8-11
			72	6' Rod	48	4' Spacing		

Double Teir Trapeze Kits

RXL prefabricated trapeze supports are made with a variety of options to support cable pathways. Our objective is to speed up install time and reduce scrap and waste. Custom colors and other configurations available upon request.



ORDERING INFORMATION								
8021-	Color		Height (A) (Thread Rod Length)		Width (B) (Between Rods)		Thread (C)	
	WH	White	36	3' Rod	12	1' Spacing	3816	3/8"-16
	BK	Black	48	4' Rod	24	2' Spacing	1213	1/2"-13
	GR	Gray	60	5' Rod	36	3' Spacing	5811	5/8-11
			72	6' Rod	48	4' Spacing		



ORDERING INFORMATION								
8023-	Color		Height (A) (Thread Rod Length)		Width (B) (Between Rods)		Thread (C)	
	WH	White	36	3' Rod	12	1' Spacing	3816	3/8"-16
	BK	Black	48	4' Rod	24	2' Spacing	1213	1/2"-13
	GR	Gray	60	5' Rod	36	3' Spacing	5811	5/8-11
			72	6' Rod	48	4' Spacing		



Data Center Solutions



+1(805) 744-4425
www.rxlusa.com
Sales@rxlusa.com

