

Our 5750 T-Series Cabinet Series is designed to be highly customizable to fit any specified needs. The frame is built from steel tubing with reinforced corners. Easily assembled/disassembled while retaining high loading capacity. Options for doors, side panels and top panels, to accommodate a large range of server/network equipment. Additional accessories provide cable management and power distribution. Standard offering includes casters, levelers, front door, double back doors, top panel, and (4) side panels.



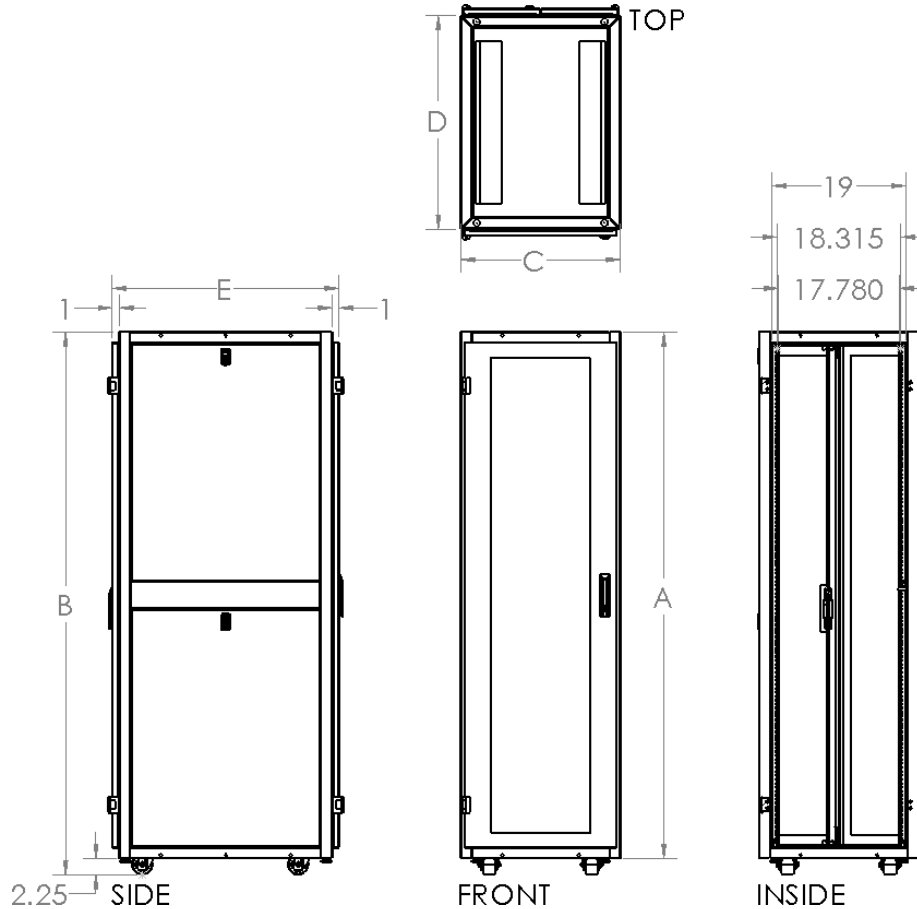
Features

- **Modular design with options for any specification**
- **Made from heavy-duty steel with a load capacity of 2000lbs**
- **Casters and levelers for easy transporting and setting**
- **Adjustable rack unit rails**
- **Locking front/back doors, side panels (removable)**
- **Ships fully assembled for fast installation**

SPECIFICATIONS

Description	T-Series Cabinet, 19" EIA Spacing, Lockable Front Door, Network Top Panel, Solid Side Panels, Double Pin Locked Back Doors		
Use	Indoor Use Only		
Available Sizes (See Details)		Usable Interior Space	Frame Size (No Doors)
	• Height:	RU (42 / 45 / 48 / 52)	77.75" / 83" / 88.25" / 95.25"
	• Width:	19" EIA rack mount	24" / 28" / 30" / 32"
	• Depth:	28.5" / 32.5" / 36.5" / 40.5" / 44.5"	32" / 36" / 40" / 42" / 48"
Load Capacity	2000lbs		
Material	16GA Steel Front Door, 12GA Steel RU Rails, 16GA X 1 3/4" Square Steel Tube Frame, 18GA Steel Side Panels, 16GA Steel Back Doors		
Construction	Hinged Front Door, Bolted Tube Frame, Bolted Top Panel, Latched Side Panels, Hinged Back Doors with Pin Lock System		
Finish	Powder coat paint		

Details



Dimension A: The height of the frame, will be the overall height without casters

Dimension B: The overall height of the cabinet with casters top to bottom

Dimension C: The overall width of the frame, 19" EIA mounting is constant

Dimension D: The depth of the frame without doors

Dimension E The overall depth of the cabinet with doors front and back

Front Door

- Reversible (Leftward/Rightward Opening)
- Lockable (Same key as back doors)

Rails

- 19"EIA rack spacing, (18.315" Hole-to-Hole, 17.78" Front Clearance, 19" Back Clearance)
- Comes in either #12-24 Threaded OR 3/8" Square Punched

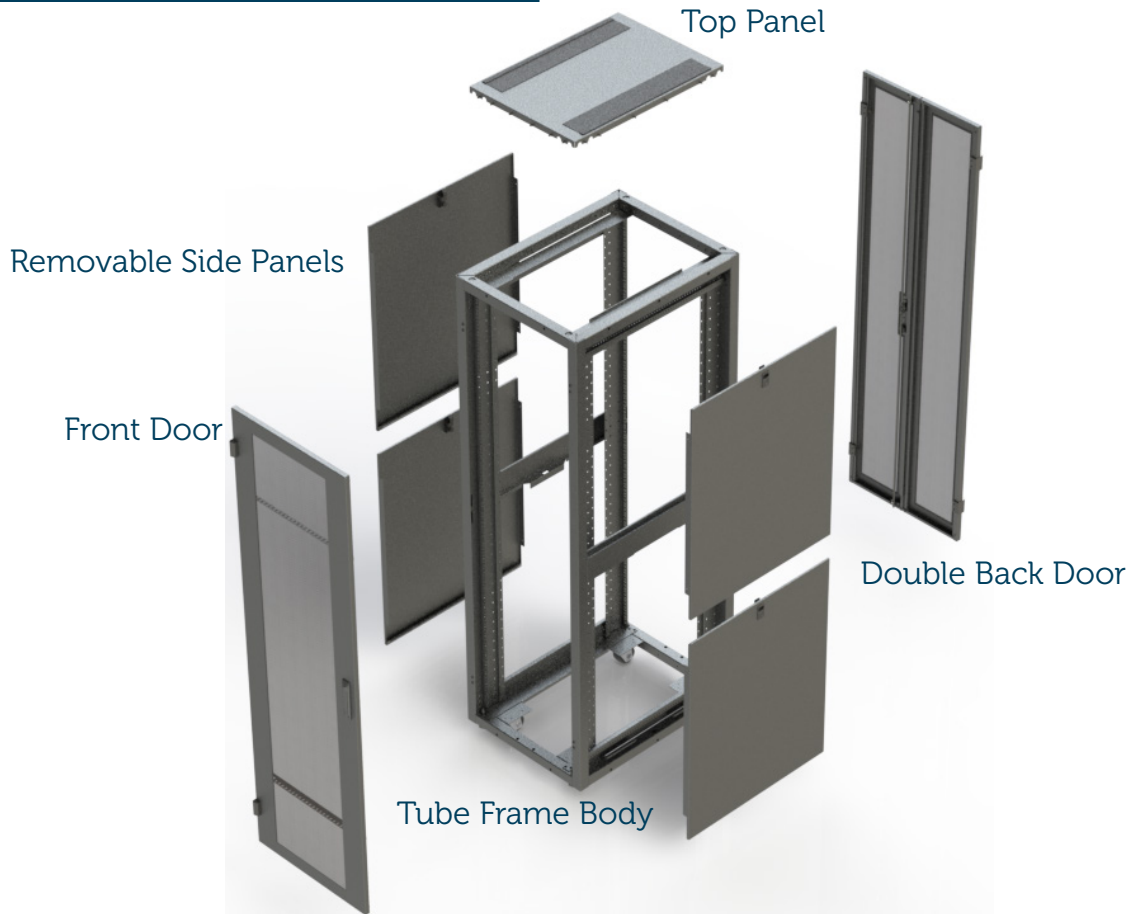
Frame

- Tubular structure with reinforced corners

Back Doors

- Standard double doors with pin locking system
- Front doors and back doors are interchangeable

Components and Accessories



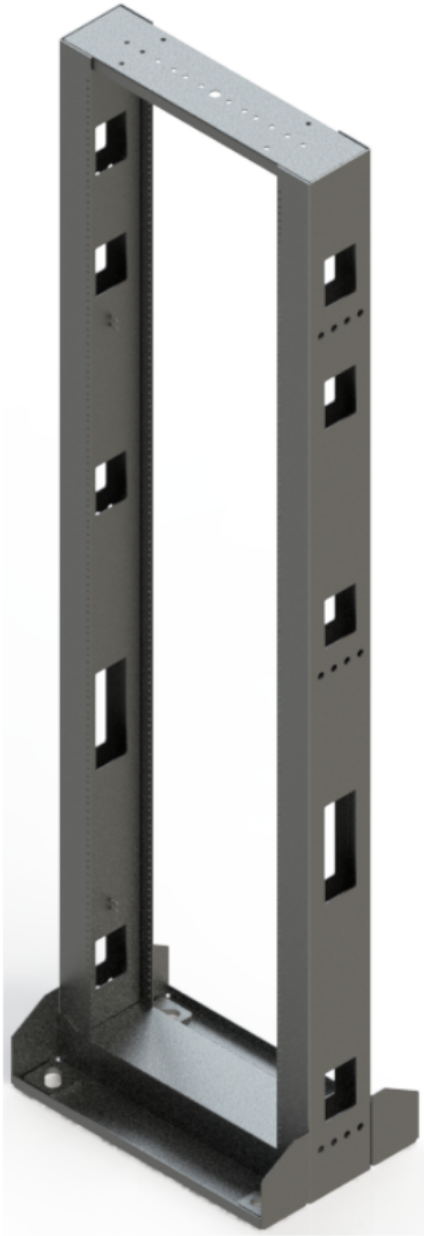
ORDERING INFORMATION

5750-	Color	Rack Units	Frame Height (A)	Overall Height (B)	Frame Width (C)	Width (mm)	Frame Depth (D)	Depth (mm)	Overall Depth (E)	Rail Style
	WH White	42	77.875"	80.375"	24	600	32	800	35"	T Tapped
	BK Black	45	83.125"	85.625"	28	700	36	900	38"	S Square
	GR Grey	48	88.375"	90.875"	30	750	40	1000	42"	
		52	95.375"	97.875"	32	800	42	1050	44"	
							48	1200	50"	

Included

- (1) Tube Frame
 - (1) Perforated Double Back Doors
 - (4) Solid Side Panels
 - (1) Rail Hardware Kit*
 - (1) Perforated Front Door
 - (2) Pairs 3/8" Square Punched Rails OR #12-24 Tapped Rails
 - (1) Brushed Network Top Panel
- * (50) #12-24 Rack Mounting Screws, (50) #12-24 Floating Cage Nuts

RXL-2822 HD Double Sided Seismic Two-Post Rack

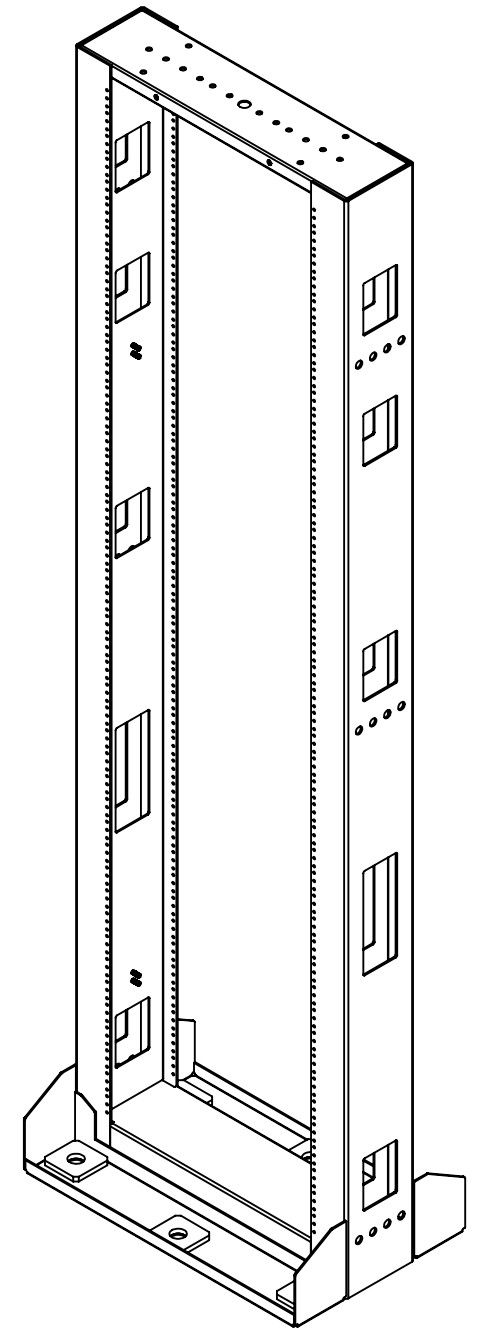
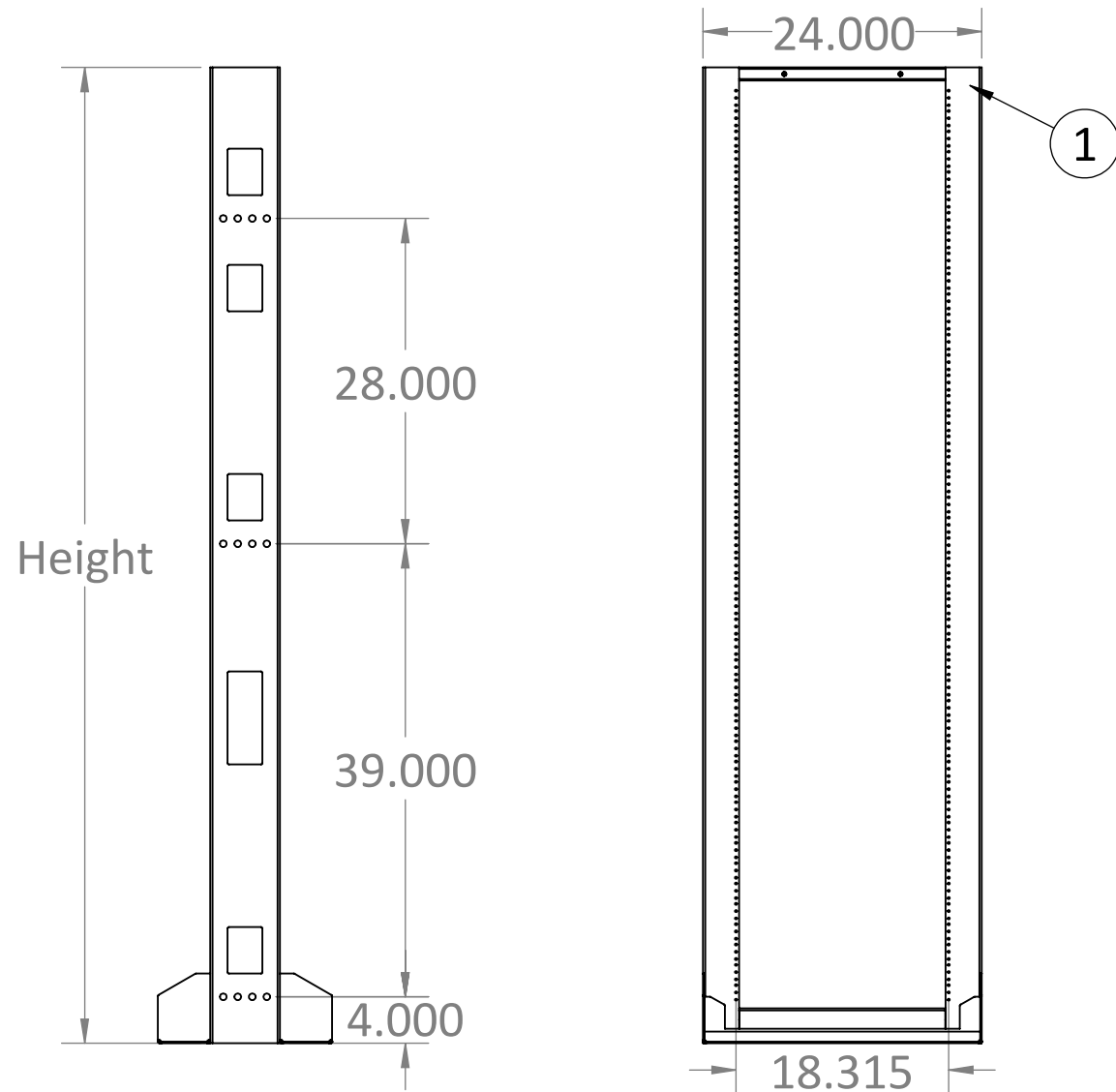
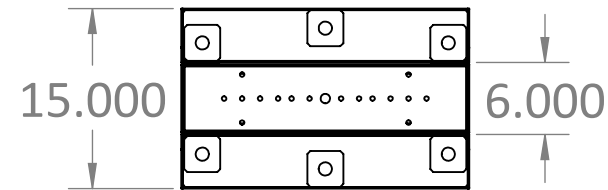


HD Double Sided Seismic Two-Post Rack

Our Seismic Rack is designed to support networking equipment in seismic prone areas. The enhanced rack construction features a fully welded 11 gauge steel design, able to withstand the motion created during a seismic event. Support 19" EIA rack mounted equipment. Mounting Rails are doubled walled for integrated cable management. Avoid being vulnerable during a seismic event.

Colors: White / Black / Gray
Height: 7' (45U) / 8' (52U)
Style: #12-24 Tapped / 3/8" Square

ITEM #	PART NUMBER	CONFIGURATION	DESCRIPTION	MATERIAL	QTY
1	WD-2822-03	X7019	7ft. H x 19EIA W Heavy Duty Double Sided Seismic 2Post Rack Weldment		1



PROPRIETARY AND CONFIDENTIAL:
THE INFORMATION CONTAINED IN THIS DRAWING IS THE SOLE PROPERTY OF RXL. ANY REPRODUCTION IN PART OR AS A WHOLE WITHOUT THE WRITTEN PERMISSION OF RXL IS PROHIBITED.

SERIES/FAMILY NUMBER:
RXL-2822

DESCRIPTION:
7ft. H x 19EIA W Heavy Duty Double Sided Seismic 2Post Rack

REVISION
B

DATE
4/5/2022

REVISION DESCRIPTION:
New Sizes

CONFIGURATION (SEE TABLE DETAILS/"X" DENOTES COLOR):
X7019

COMMENTS/FOLDER PATH:
B:\RXL Inc\RXL Engineering - General\RXL\Section 2 - Open Racks\RXL-2822 Heavy Duty Double Sided Seismic 2Post Rack\

UNLESS OTHERWISE SPECIFIED:
DIMENSIONS ARE IN INCHES
TOLERANCES: ±0.03
FRACTIONAL: ±1/32
ANGULAR: ±1°
TWO PLACE DECIMAL ±0.03
THREE PLACE DECIMAL ±0.030

MATERIAL:
FINISH:
PAINT
WEIGHT:
148.61lbs.

SURFACE AREA:

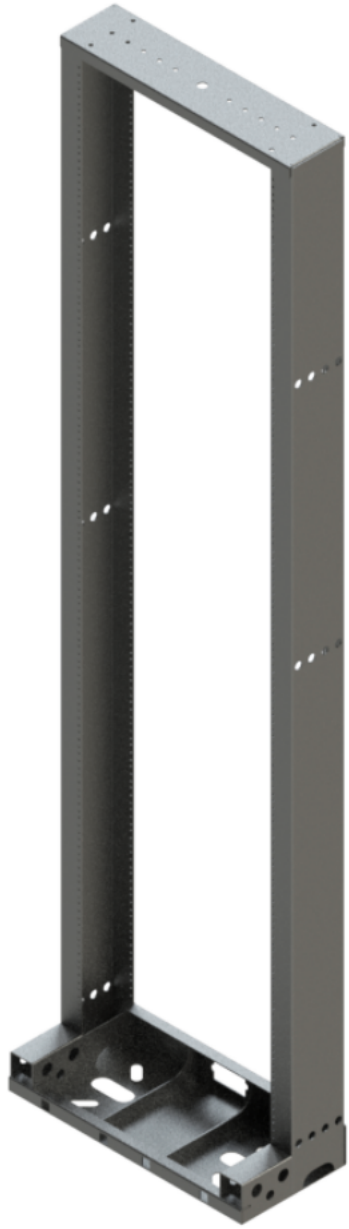
FULL PART NUMBER:
RXL-2822-X7019

DRAWN BY: Jackson Chong
DRAWN DATE: 2/25/2020

DO NOT SCALE DRAWING
Scale: 1:4
DRAWING SIZE: **B**
SHEET 1 OF 1

8 7 6 5 4 3 2 1

RXL-2821 Single Sided Seismic Two-Post Rack

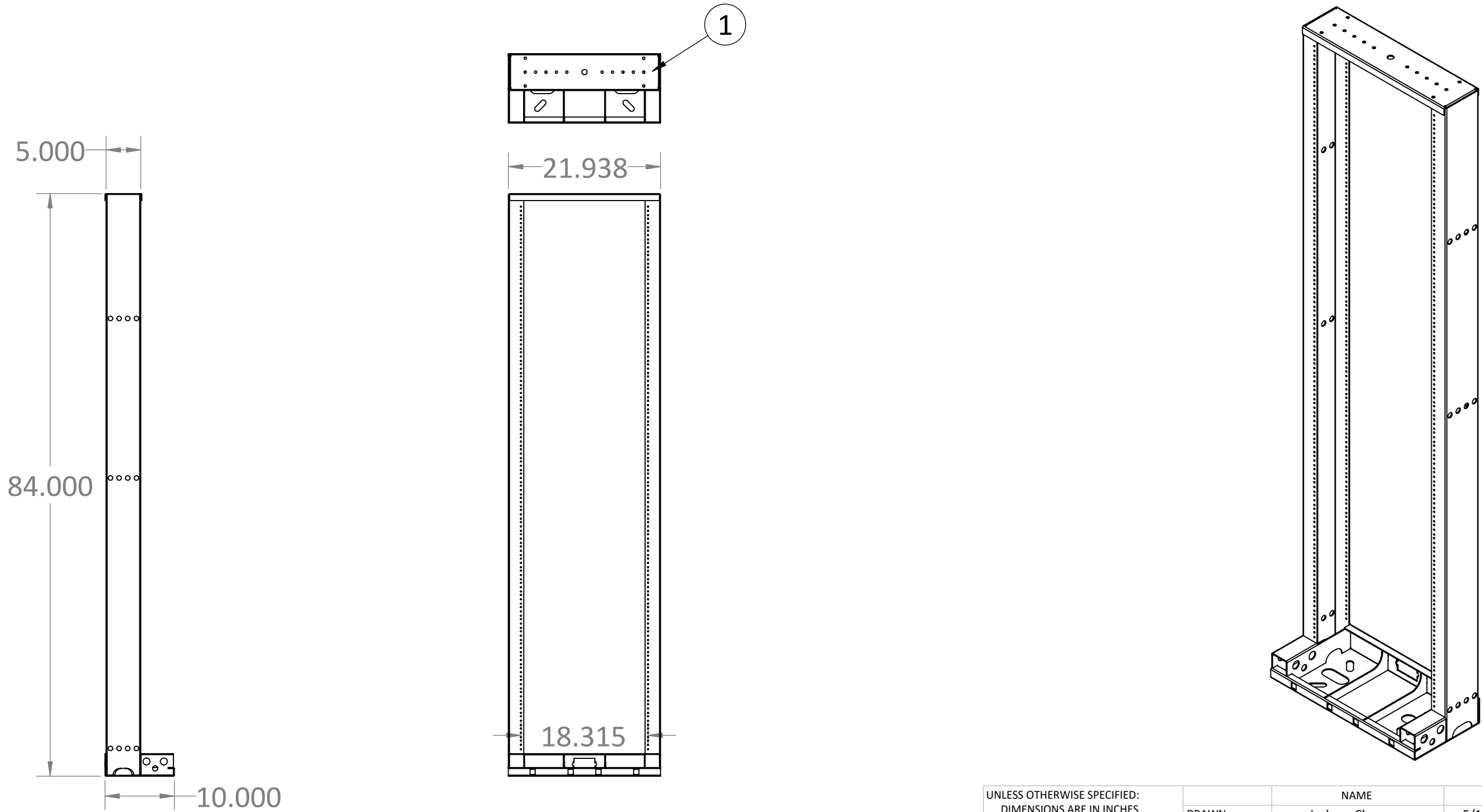


Single Sided Seismic Two-Post Rack

Our Seismic Rack is designed to support networking equipment in seismic prone areas. The enhanced rack construction features a fully welded 11 gauge steel design, able to withstand the motion created during a seismic event. Support 19" EIA rack mounted equipment. Mounting Rails are doubled walled for integrated cable management. Avoid being vulnerable during a seismic event.

Colors: White / Black / Gray
Height: 7' (45U) / 8' (52U)
Style: #12-24 Tapped / 3/8" Square

ITEM #	PART NUMBER	CONFIGURATION	DESCRIPTION	MATERIAL	QTY	REVISIONS				
						ZONE	REV.	DESCRIPTION	DATE	APPROVED
1	WD-2821-02	X7019	84in. H x 19in. W Seismic 2Post Rack Weldment		1		A	Initial	5/19/2020	



UNLESS OTHERWISE SPECIFIED: DIMENSIONS ARE IN INCHES TOLERANCES: ±0.03 FRACTIONAL: ±1/32 ANGULAR: ±1° TWO PLACE DECIMAL ±0.03 THREE PLACE DECIMAL ±0.010	DRAWN	NAME	DATE	
	PART APPROVAL	Jackson Chong	5/19/2020	
	COMMENTS: N:\RXL Engineering\Section 2 - Open Racks\RXL-2821 Single Sided Seismic 2Post Rack\			SIZE B
	DO NOT SCALE DRAWING			REV A
MATERIAL: FINISH: PAINT WEIGHT:	SCALE: 1:4		SHEET 1 OF 1	



PART NUMBER: RXL-2821	CONFIGURATION (SEE TABLE DETAILS): X7019
DESCRIPTION: 84in. H x 19in. W Seismic 2Post Rack	

PROPRIETARY AND CONFIDENTIAL
 THE INFORMATION CONTAINED IN THIS DRAWING IS THE SOLE PROPERTY OF RXL. ANY REPRODUCTION IN PART OR AS A WHOLE WITHOUT THE WRITTEN PERMISSION OF RXL IS PROHIBITED.